



TEL: (517) 546-3220

PATENT RAIL
AND
STANDARD
SHAPES
TROLLEYS



	PAGE
Chart.....	2
Two Wheel Festoon Trolleys 150 lb. Maximum Rated Load	3
Four Wheel Trolleys 250 lb. Maximum Rated Load	5
Two Wheel Trolley Standard Carrier Head 500 lb. Rated Load	7
Three Wheel Trolley Cantilever Counter Thrust 500 lb. Rated Load	9
Two Wheel Articulating Trolley 500 lb. Rated Load	11
Two Wheel Self Aligning Trolley 500 lb. Rated Load	13
Four Wheel Universal Trolley 500 lb. Maximum Rated Load	15
Four Wheel Safety Trolleys 1000 lb. Maximum Rated Load	17
Four Wheel Universal Trolley 1000 lb. Maximum Rated Load	19
Two Wheel Carrier Head 1000 or 1500 lb. Maximum Rated Load	21
Three Wheel Carrier Head 1000 or 1500 lb. Maximum Rated Load	23
Articulating Two Wheel Carrier Head 1000 or 1500 lb. Maximum Rated Load	25
Self Aligning Two Wheel Carrier Head 1000 or 1500 lb. Maximum Rated Load	27
Four Wheel Safety Trolleys 1500 lb. Maximum Rated Load	29
Four Wheel Safety Trolleys 1500 lb. Maximum Rated Load	31
Four Wheel Safety Trolleys 2000 lb. Maximum Rated Load	33
Four Wheel Tandem Trolley 2500 lb. Maximum Rated Load	35
Two Wheel Carrier Head 2500 or 3000 lb. Maximum Rated Load	37
Four Wheel Safety Trolleys 3000 lb. Maximum Rated Load	39
Four Wheel Safety Trolleys 3000 or 4000 lb. Maximum Rated Load	41



MODEL NUMBER	RATED LOAD POUNDS	Kg	SAFETY CLEVIS	FOR OPERATION ON:				ADJUST-ABLE WIDTH	SEE PAGE
				3.25" FLAT RAIL	4" "S" BEAM	6" "S" BEAM	3.33" FLAT TRACK		
FT-325 FT-266 FT-333	150	68	NO	X	X	X	X	NO	3-4
MT-250-B	250	113	LUG	X	X	X	X	YES	5-6
MBC-500-2 MBC-500-2-4	500	228	LUG	X	X	X	X	NO	7-8
MBC-500-3 MBC-500-3-4	500	228	LUG	X	X	X	X	NO	9-10
AC-500-2 AC-500-2-4	500	228	LUG	X	X	X	X	NO	11-12
SAC-500-2 SAC-500-2-4	500	228	LUG	X	X	X	X	NO	13-14
UT-500	500	228	LUG	X	X	X	X	YES	15-16
TA-325 TA-4 TA-6	1000	453	STEEL	X	X	X	X	NO	17-18
UT-1000	1000	453	LUG	X	X	X	X	YES	19-20
MBC-1000	1000 or 1500	453 or 680	LUG	X		X	X	NO	21-22
MBC-1000-3	1000 or 1500	453 or 680	LUG	X		X	X	NO	23-24
AC-1027-1	1000 or 1500	453 or 680	LUG	X		X	X	NO	25-26
SAC-1020-1	1000 or 1500	453 or 680	LUG	X		X	X	NO	27-28
BT-325 BT-266 BT-333	1500	680	STEEL	X	X	X	X	NO	29-30
T-612	1500	680	STEEL	X	X	X	X	YES	31-32
T-325 T-904 T-906	2000	907	STEEL	X	X	X	X	NO	33-34
TSE-1017-1	2500	1134	LUG	X		X	X	NO	35-36
MBC-2500	2500	1134	LUG	X		X	X	NO	37-38
TT-1023 TT-1023-HT	3000 3000	1360 1360	STEEL STEEL	X X		X X	X X	NO NO	39-40
BT-325-10 BT-333-10 BT-325-10R BT-333-10R	3000 4000	1360 1814	STEEL STEEL	X X		X X	X X	NO NO	41-42



Model Number

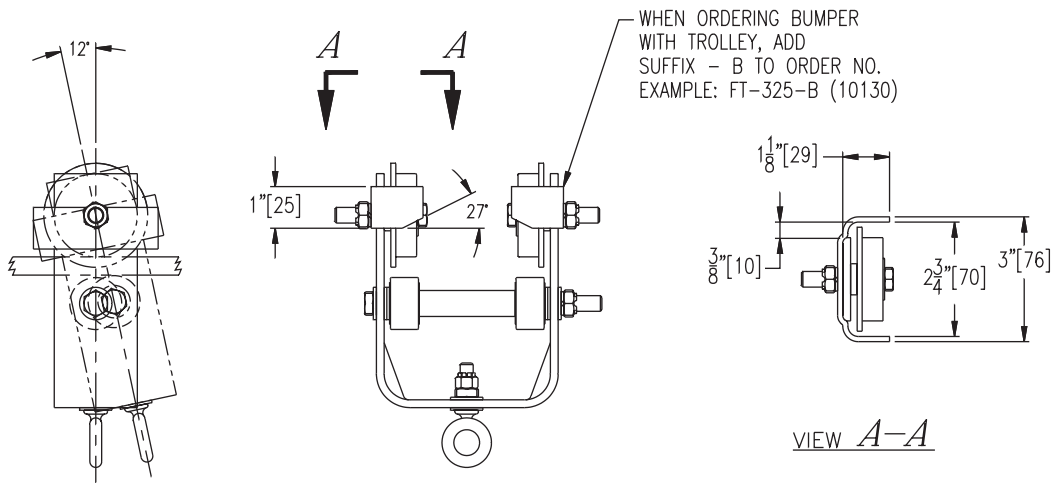
- Ft-325 for operation on 3.25/3.33" flange flat rail
- Ft-233 for operation on 2.33" flange 3" S-Beam
- Ft-266 for operation on 2.66" flange 4" S-Beam
- Ft-333 for operation on 3.33" flange 6" S-Beam
- When ordering add suffix "B" if bumper option is required. Example:(FT-325-B)

Application

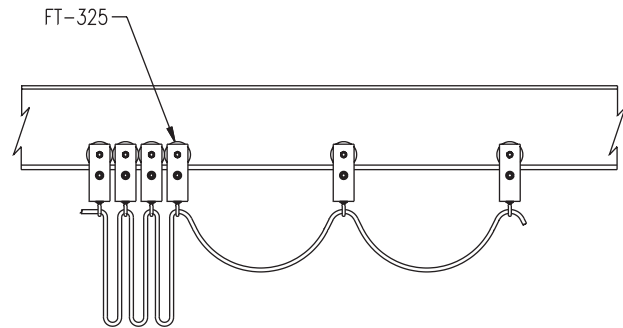
- For festooning of cable or hose along runway
- For suspension of small portable tools
- For suspension of light duty balancers

Features

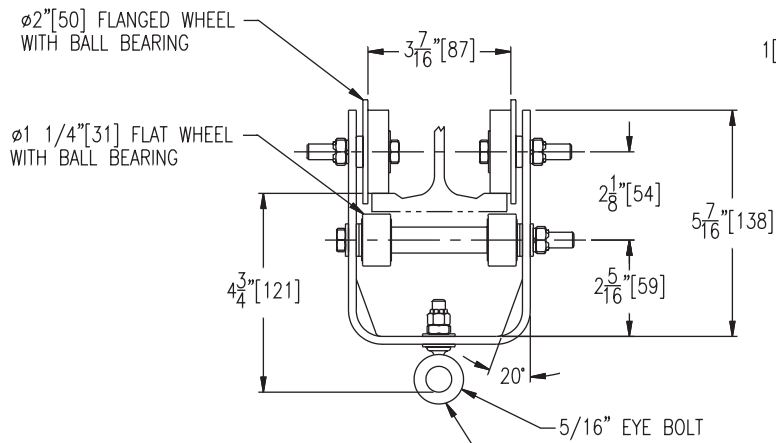
- 2 inch diameter ball bearing flanged load wheels
- Flat or tapered tread for flat rail or S-Beam
- Flat ball bearing "kick-up" wheels
- FT-325 3.25/3.33" flat rail (10120)
- FT-233 3" S-Beam (10080)
- FT-266 4" S-Beam (10100)
- FT-333 6" S-Beam (10135)
- FT-325-B (10130)
- FT-233-B (10090)
- FT-266-B (10110)
- FT-333-B (10137)



TROLLEY APPLICATION



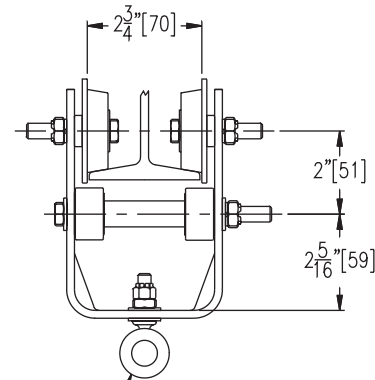
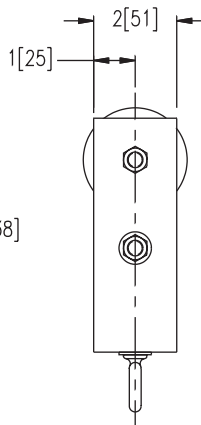
LABORATORY TESTING DATA	
YIELD STRENGTH:	1500LBS (672Kgs)
ULTIMATE STRENGTH:	1990LBS (891.5Kgs)



FT-333 TROLLEY (10135)

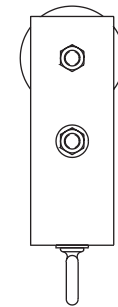
FOR USE ON S6 BEAM.
TROLLEY LOAD RATING: 150LBS (67.2Kgs)
FT-333-B (10137)

FOR USE ON FLAT TRACK WITH
A 3.25" [82.6] OR 3.33" [84.6] FLANGE WIDTH.
TROLLEY LOAD RATING: 150LBS (67.2Kgs)
FT-325-B (10130)



FT-266 TROLLEY (10100)

FOR USE ON S4 BEAM WITH
A 2.66" [67.6] FLANGE WIDTH.
TROLLEY LOAD RATING: 150LBS (67.2Kgs)
FT-266-B (10110)



FT-233 TROLLEY (10080)

FOR USE ON S3 BEAM WITH
A 2.33" [59.2] FLANGE WIDTH.
TROLLEY LOAD RATING: 150LBS (67.2 Kgs)
FT-233-B (10090)



Model Number

- MT-250-B
- Specify for operation on 3.25"/3.33" flange flat rail
for operation on 2.33" flange 3" S-Beam
for operation on 2.66" flange 4" S-Beam
for operation on 3.33" flange 6" S-Beam

Application

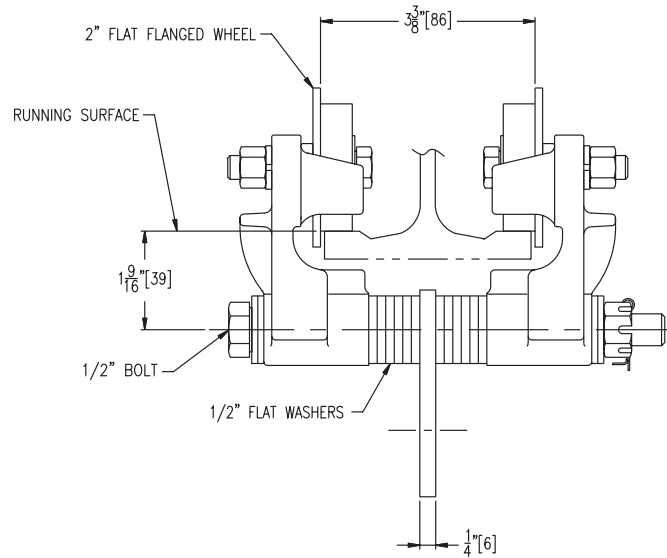
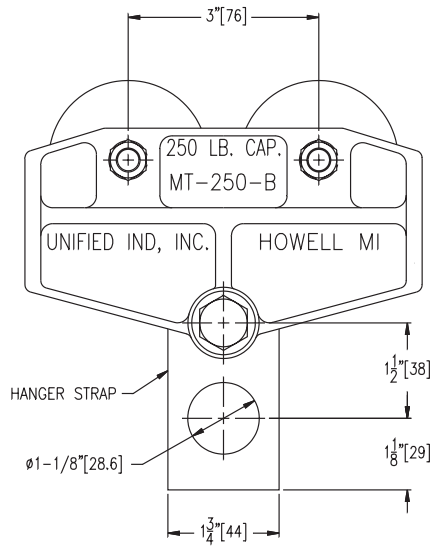
- For suspension of light duty balancer or hoist
- For suspension of portable tools or fixtures

Features

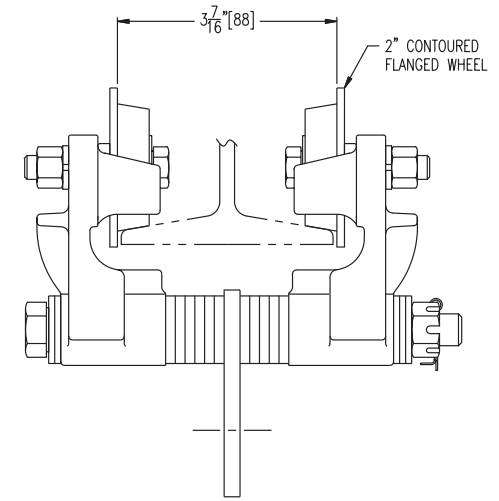
- Adjustable width to fit flat rail and 4 or 6" S-Beam
- High tensile almag alloy frames
- Built in safety lugs also prevent "kick-up"
- Ball bearing flanged load wheels for flat rail or S-Beam

Options

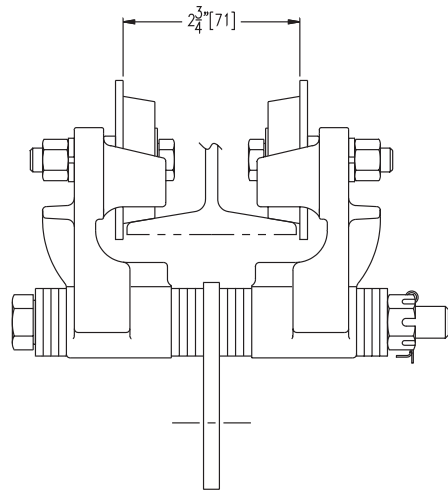
- Can be furnished with load link
- 3.25"/3.33" flat rail (10210)
- 3" S-Beam (10212)
- 4" S-Beam (10212)
- 6" S-Beam (10211)



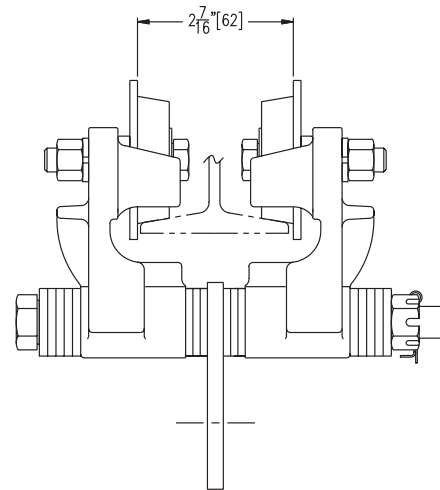
MT-250-B-325(10210)
FOR OPERATION ON FLAT RAIL WITH A
3.25" [82.6] OR 3.33" [84.6] FLANGE WIDTH



MT-250-B-333(10211)
FOR OPERATION ON S6 BEAM
WITH A 3.33" [84.6] FLANGE WIDTH



MT-250-B-266(10212)
FOR OPERATION ON S4 BEAM
WITH 2.66" [67.6] FLANGE WIDTH



MT-250-B-233(10212)
FOR OPERATION ON S3 BEAM
WITH 2.33" [59.2] FLANGE WIDTH

TROLLEY SPECIFICATIONS

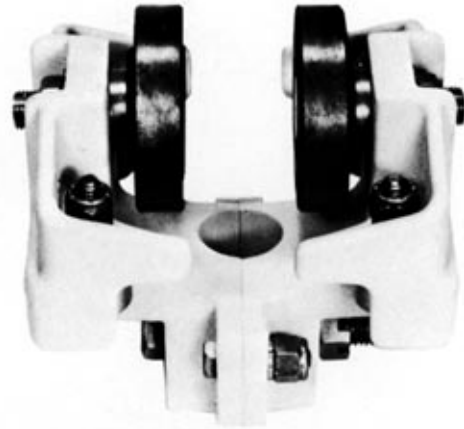
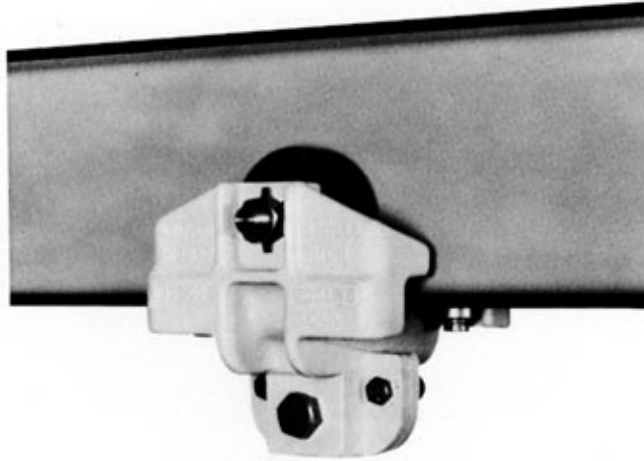
RATED LOAD: 250 lbs. (112 kgs)
WEIGHT: 5.5 lbs. (2.5 kgs)
BODY: HIGH TENSILE ALMAG
WHEELS: 2" DIA. FLAT OR CONTOURED FLANGED
STUDS: 3/8" DIA.
BEARING TYPE: BALL THRUST BEARING, HARDENED
AND GROUND.

LABORATORY TESTING DATA

YIELD STRENGTH: 3990 lbs. (1787.5)
ULTIMATE TENSILE STRENGTH: 4800 lbs. (2150.4 kgs)

NOTE:

WHEN ORDERING SPECIFY WIDTH OF
RUNNING SURFACE FLANGE
3.25" FOR STD. OR SPECIAL FLAT RAIL
3.33" FOR S6 BEAM
2.66" FOR S4 BEAM
2.33" FOR S3 BEAM



Model Number

- MBC-500-2 for operation on 3.25" or 3.33" - flanged flat rail or 3.33" 6" S-beam (12.5 lb.)
- MBC-500-2-4 for operation on 2.66" flange 4" S-Beam (7.7 lb.)

Application

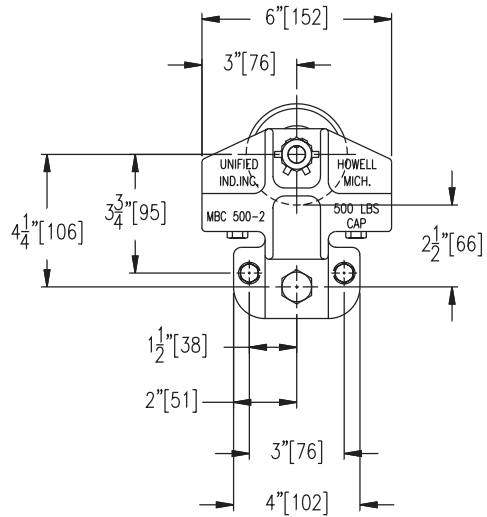
- Used in pairs for light load bridge crane end trucks
- Used in tandem as articulating or rigid application for rated loads to 1000 pounds

Features

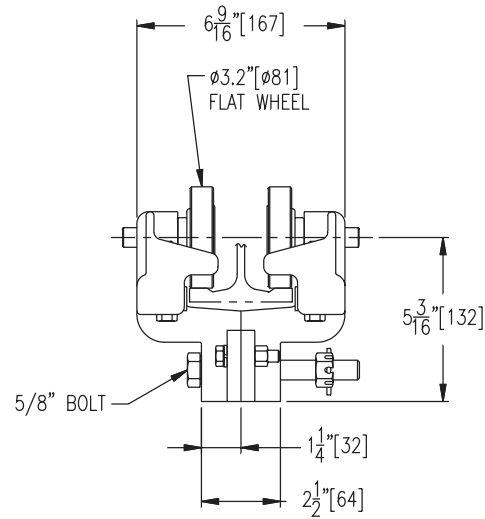
- High tensile almag alloy frames
- Integral built in safety lugs
- Shielded side thrust roller protection
- Hardened ball bearing side thrust rollers
- Forged wheel 3.2" diameter, flat or contoured induction hardened with permanently sealed precision ball bearings

Options

- Standard conveyor wheel 3.2" diameter flat or contoured with lubricated ball bearings
- Can be furnished as an assembled end truck

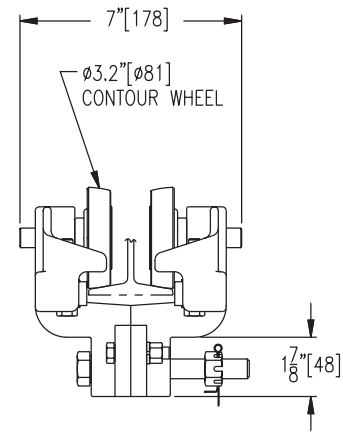


COMMON SIDE VIEW



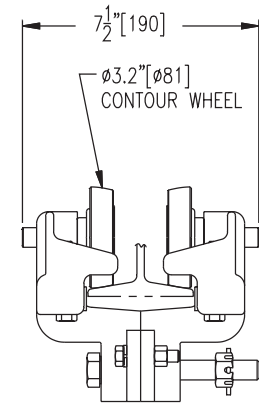
MBC-500-2-325(10170)

FOR OPERATION ON FLAT RAIL WITH 3.25"[82.6] FLANGE WIDTH OR SPECIAL FLAT TRACK WITH 3.33"[84.6] FLANGE WIDTH



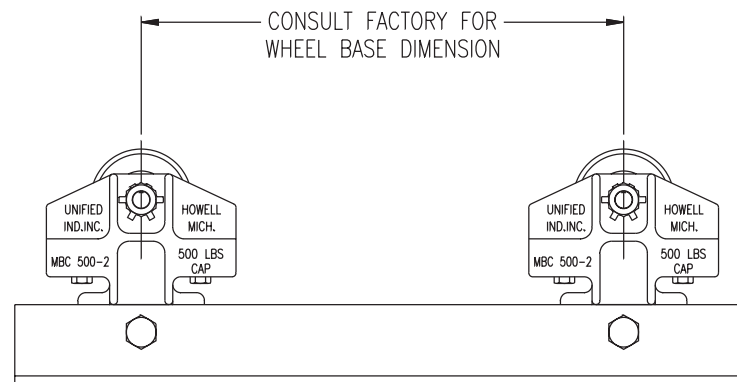
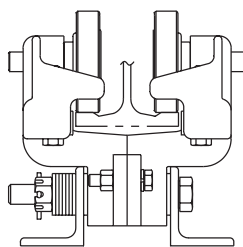
MBC-500-2-4(10180)

FOR OPERATION ON STANDARD S4 BEAM WITH 2.66"[67.6] FLANGE WIDTH



MBC-500-2-333(10171)

FOR OPERATION ON STANDARD S6 BEAM WITH 3.33"[84.6] FLANGE WIDTH



BRIDGE CRANE END TRUCK

TROLLEY SPECIFICATIONS

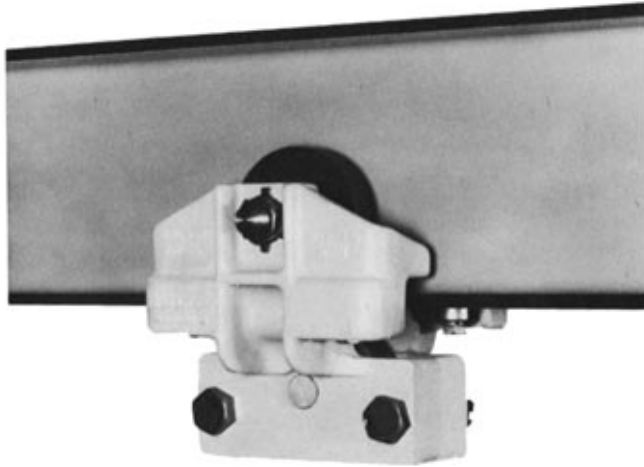
- RATED LOAD: 500 LBS[224Kgs]
- WEIGHT: 9.8 LBS[4.4Kgs]
- BODY: HIGH TENSILE ALMAG
- WHEEL: ø3.2"[ø81.3]
- STUD: ø5/8"[ø15.9]
- ROLLERS: BALL BEARING HARDENED & GROUND

LAB TESTING DATA

- TANDEM
- YIELD STRENGTH: 11,200 LBS[5017.6Kgs]
- TANDEM ULTIMATE
- TENSILE STRENGTH: 13,500 LBS[6048Kgs]

NOTE:

- WHEN ORDERING SPECIFY EXACT WIDTH OF RUNNING SURFACE FLANGE.
- 1) 3.25"[82.6] FOR STD. OR SPECIAL FLAT RAIL
- 2) 2.66"[67.6] FOR S4 BEAM
- 3) 3.33"[84.6] FOR S6 BEAM



Model Number

- MBC-500-3 for operation on 3.25" or 3.33" - flange flat rail or 3.33" flange 6" S-Beam (12.5 lb.)
- MBC-500-3-4 for operation on 2.66" flange 4" S-Beam (7.7 lb.)

Application

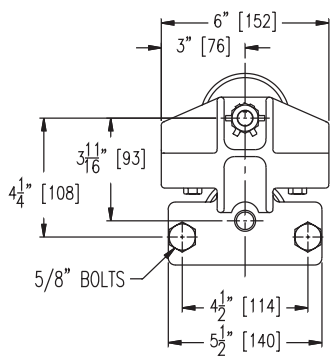
- Used in pairs on one or both ends of bridge crane to eliminate cantilever "kick-up" where overhang of bridge beam and load exceeds counter weight of bridge
- Use on light load telescope units for extending load beyond bridge crane span
- Can be adapted to tools and fixtures where cantilever rolling action is required. Third wheel engages underside of rail to eliminate possible drag

Features

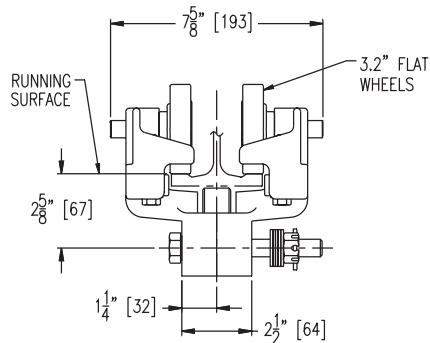
- High tensile almag alloy frames
- Integral built in safety lugs
- Shielded side thrust roller protection
- Hardened ball bearing side thrust rollers
- Forged wheels 3.2" diameter flat or contoured induction hardened with permanently sealed precision ball bearings

Options

- Standard conveyor wheels 3.2" diameter flat or contoured with lubricated ball bearings
- Can be furnished as assembled end truck

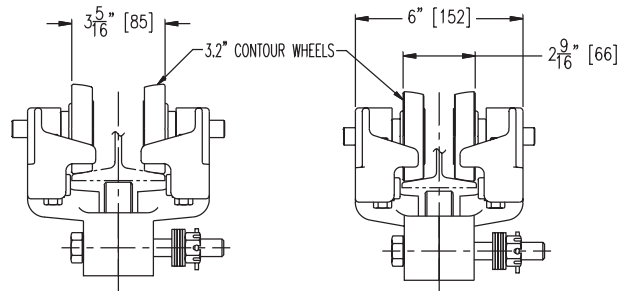


COMMON SIDE VIEW



MBC-500-3-325 (10190)

FOR OPERATION ON FLAT RAIL WITH 3.25" [82.6] FLANGE WIDTH OR SPECIAL FLAT TRACK WITH 3.33" [84.6] FLANGE WIDTH



MBC-500-3-333 (10191)

FOR OPERATION ON STANDARD S6 BEAM WITH 3.33" [84.6] FLANGE WIDTH

MBC-500-3-4 (10200)

FOR OPERATION ON STANDARD S4 BEAM WITH 2.66" [67.6] FLANGE WIDTH

TROLLEY SPECIFICATIONS

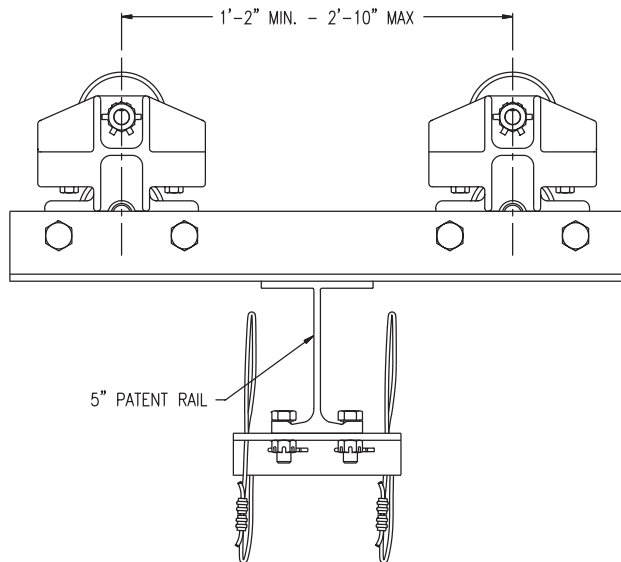
RATED LOAD: 500 LBS. (224 Kgs)
 WEIGHT: 12 LBS. (5.4 Kgs)
 BODY: HIGH TENSILE ALMAG
 WHEEL: 3.2" [81] DIA.
 STUD: 5/8" [15] DIA.
 ROLLERS: BALL BEARING HARDENED & GROUND

LAB TESTING DATA

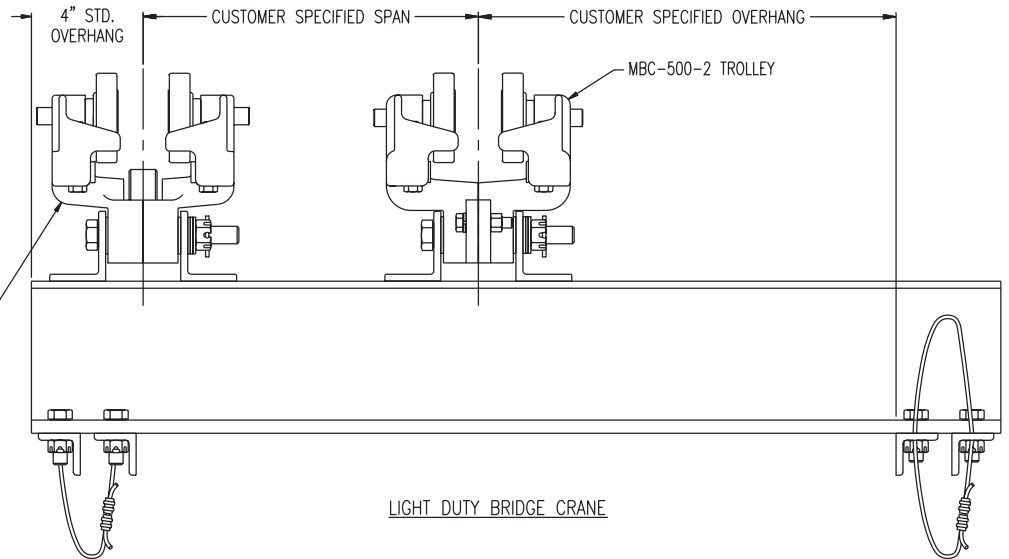
TANDEM
 YIELD STRENGTH: 11,000 (4928 Kgs)
 TANDEM ULTIMATE
 TENSILE STRENGTH: 14,530 (6509 Kgs)

NOTE:

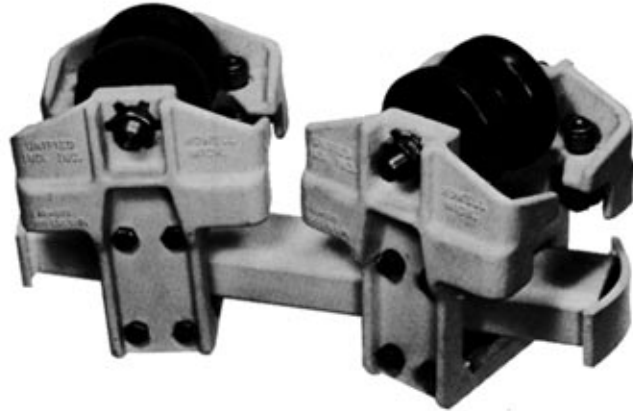
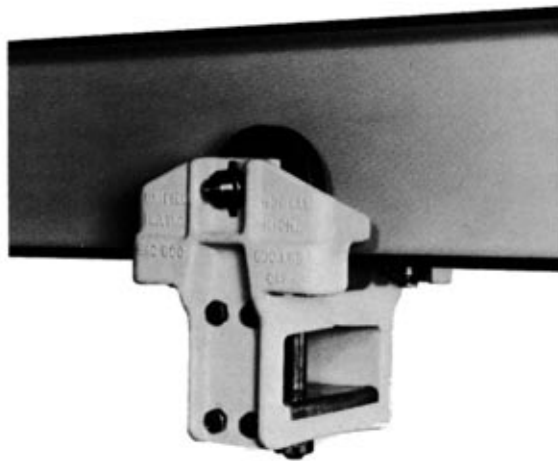
WHEN ORDERING SPECIFY EXACT WIDTH OF RUNNING SURFACE FLANGE.
 1. 3.25" [82.6] FOR STD. OR SPECIAL FLAT RAIL
 2. 2.66" [67.6] FOR S4 BEAM
 3. 3.33" [84.6] FOR S6 BEAM



MBC-500-3 TROLLEY WITH COUNTER THRUST WHEEL USED ON BRIDGE CRANES WITH OVERHANG.



LIGHT DUTY BRIDGE CRANE



Model Number

- AC-500-2 for operation on 3.25" or 3.33" flange flat rail or 3.33" flange 6" S-Beam (12.5 lb.)
- AC-500-2-4 for operation on 2.66" flange 4" S-Beam (7.7 lb.)

Application

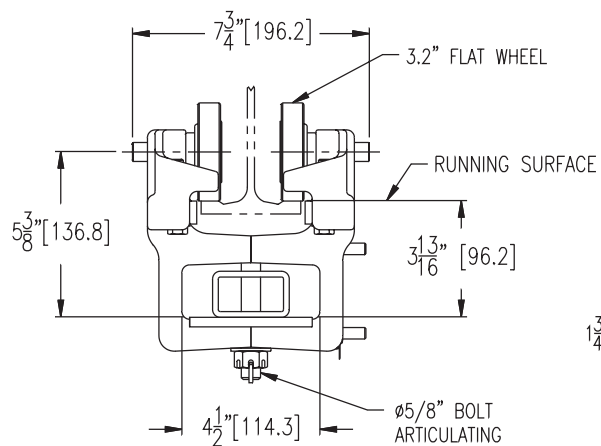
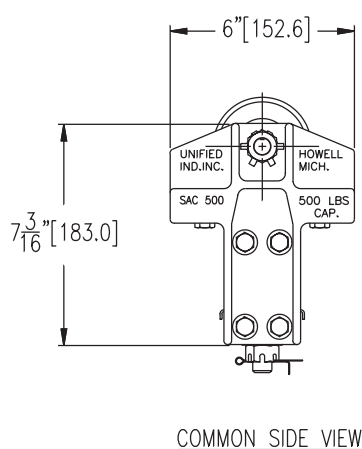
- Used in pairs for bridge crane end truck assemblies for negotiating curved runways
- Used in tandem as articulating load bars on horizontal and vertical curved monorail systems

Features

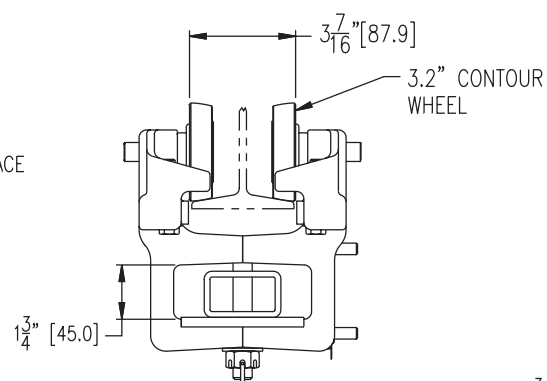
- High tensile almag alloy frames
- Integral built-in safety lugs
- Shielded side thrust roller protection
- Hardened ball bearing side thrust rollers
- Forged wheels 3.2" diameter flat or contoured induction hardened with permanently sealed precision ball bearings
- Load bearing brass wear plate
- Heat treated steel pivot bolt

Options

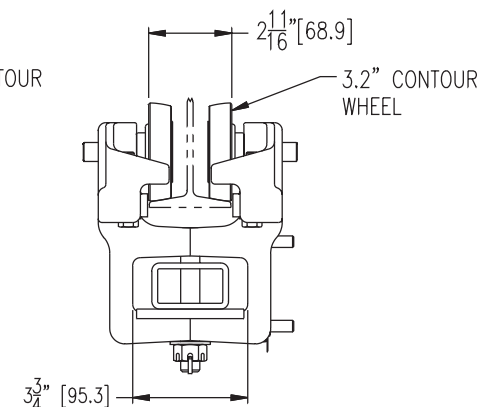
- Standard conveyor wheels 3.2" diameter flat or contoured with lubricated ball bearings
- Can be furnished as an assembled end truck or load bar



FOR OPERATION ON 3.25" [82.6] FLAT FLANGE RAIL & 3.33" [84.6] SPECIAL FLAT FLANGE RAIL



FOR OPERATION ON S6 WITH 3.33" [84.6] FLANGE WIDTH



FOR OPERATION ON S4 WITH 2.66" [67.6] FLANGE WIDTH

APPLICATIONS FOR AC-500 ARTICULATING CARRIER HEAD TROLLEYS

USE IN PAIRS FOR BRIDGE CRANE END TRUCK ASSEMBLIES ON A MINIMUM 3FT. CURVED RUNWAY.
USE IN PAIRS FOR LOAD BAR ASSEMBLIES ON 3FT. MINIMUM CURVED MONORAIL.

TROLLEY SPECIFICATIONS

RATED LOAD: 500LBS. (224Kgs)
WEIGHT: 10.5LBS. (4.70Kgs)
BODY: HIGH TENSILE ALMAG
WHEELS: ϕ 3.2" [82.6]
STUD: ϕ 5/8" [16]
ROLLERS: BALL THRUST BEARINGS

LABORATORY TESTING DATA:

YIELD STRENGTH: 11,500LBS. (5152Kgs)
ULTIMATE STRENGTH: 13,200LBS. (5914Kgs)
COMPLIES WITH O.S.H.A. SAFETY STANDARDS

NOTES:

ALL AC-500 TROLLEYS COME WITH A BRASS WEAR PLATE.
WHEN ORDERING PLEASE SPECIFY WIDTH OF RUNNING SURFACE FLANGE.
(1) 3.25" [82.6] FOR STD. & SPECIAL FLAT RAIL.
(2) 2.66" [67.6] FOR S4 BEAM
(3) 3.33" [84.6] FOR S6 BEAM
AVAILABLE WITH FLAT OR CONTOUR WHEELS.



Model Number

- SAC-500-2 for operation on 3.25" or 3.33" flange flat rail or 3.33" flange 6" S-Beam (12.5 lb.)
- SAC-500-2-4 for operation on 2.66" flange 4" S-Beam (7.7 lb.)

Application

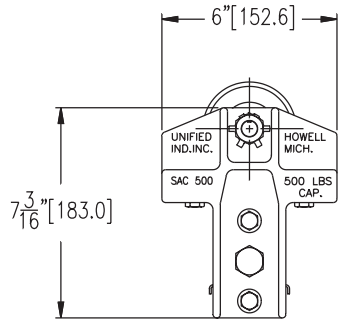
- Used in pairs for bridge crane end trucks where gage of span is not parallel

Features

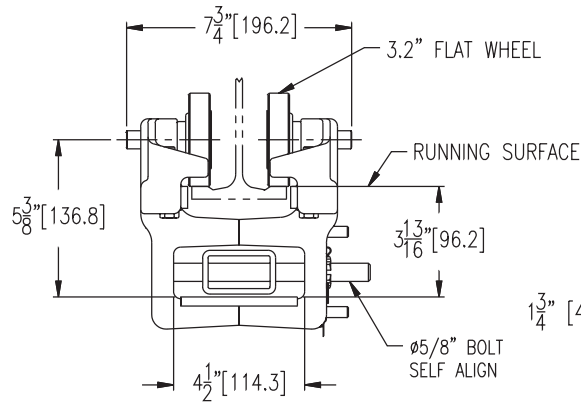
- High tensile almag alloy frames
- Integral built in safety lugs
- Shielded side thrust roller protection
- Hardened ball bearing side thrust rollers
- Forged wheels 3.2" diameter flat or contoured induction hardened with permanently sealed precision ball bearings
- Load bearing brass wear plate
- Hardened steel self aligning bolt
- Trolley is designed to seek center of runway rail

Options

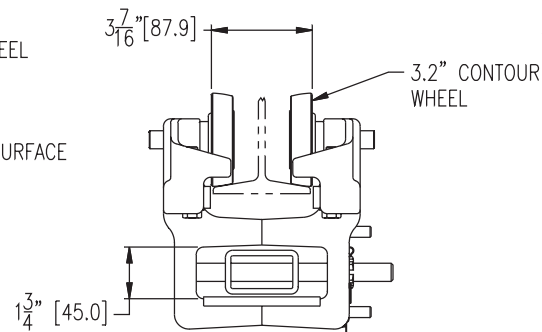
- Standard conveyor wheels 3.2" diameter flat or contoured with lubricated ball bearings
- Can be furnished as an assembled end truck



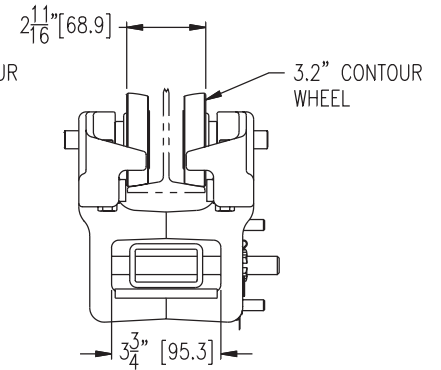
COMMON SIDE VIEW



SAC-500-2-325(10230)
FOR OPERATION ON 3.25" [82.6] FLAT
FLANGE RAIL & 3.33" [84.6] SPECIAL
FLAT FLANGE RAIL



SAC-500-2-333(10231)
FOR OPERATION ON S6 WITH 3.33"
[84.6] FLANGE WIDTH



SAC-500-2-4(10240)
FOR OPERATION ON S4 WITH 2.66"
[67.6] FLANGE WIDTH

APPLICATIONS FOR SAC-500 TROLLEYS

USE IN PAIRS FOR BRIDGE CRANE END TRUCK ASSEMBLIES ON A MINIMUM 3FT. CURVED RUNWAY.
USE IN PAIRS FOR LOAD BAR ASSEMBLIES ON 3FT. MINIMUM CURVED MONORAIL.

TROLLEY SPECIFICATIONS

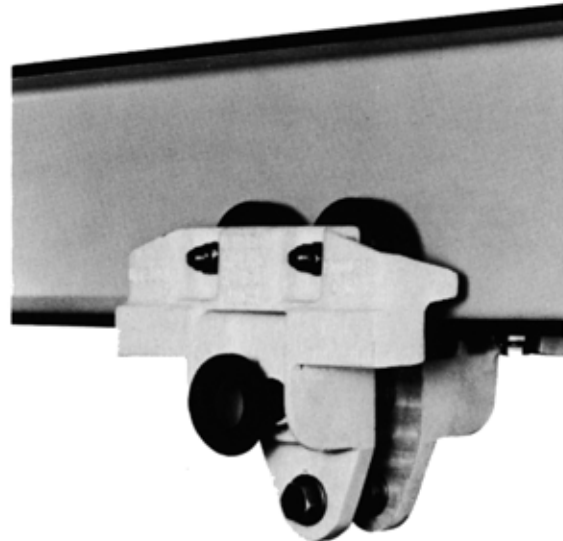
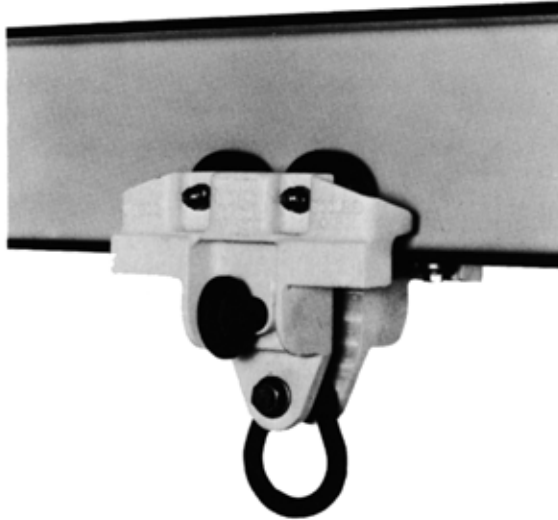
RATED LOAD: 500LBS. (224Kgs)
WEIGHT: 10.5LBS. (4.7Kgs)
BODY: HIGH TENSILE ALMAG
WHEELS: ϕ 3.2" [82.6]
STUD: ϕ 5/8" [16]
ROLLERS: BALL THRUST BEARINGS

LABORATORY TESTING DATA:

YIELD STRENGTH: 11,500LBS. (5152Kgs)
ULTIMATE STRENGTH: 13,200LBS. (5913Kgs)
COMPLIES WITH O.S.H.A. SAFETY STANDARDS

NOTES:

ALL SAC-500 TROLLEYS COME WITH A BRASS WEAR PLATE. WHEN ORDERING PLEASE SPECIFY WIDTH OF RUNNING SURFACE FLANGE.
(1) 3.25" [82.6] FOR STD. FLAT RAIL & 3.33" [84.6] FLAT RAIL.
(2) 2.66" [67.6] FOR S4 BEAM
(3) 3.33" [84.6] FOR S6 BEAM
AVAILABLE WITH FLAT OR CONTOUR WHEELS.



Model Number

- Series UT-500 **fully adjustable** with stored spacers to allow for adjustment to the following rail sizes
- For operation on 3", 4" and 6" S-Beam
- For operation on 3.25" flange flat rail
- For operation on 3.33" flange flat track

Application

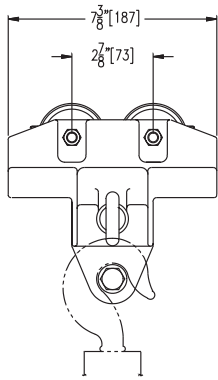
- Suspension of hook mounted spring balancers, hoists, nut runners, rivet guns, hand tools, fixtures, etc.
- Used in pairs for load bars

Features

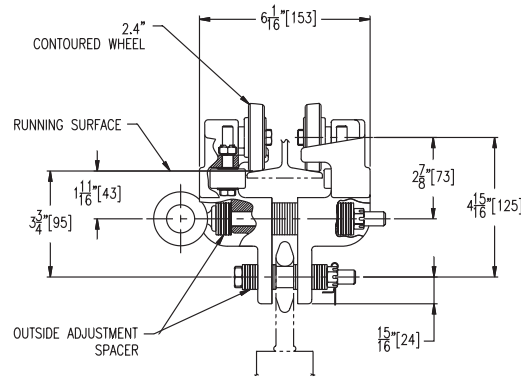
- High tensile almag alloy frames
- Integral built in safety lugs
- Shielded side thrust roller protection
- Safety eye bolt penetrates through both almag trolley frames
- Independent load bearing bolt
- Forged 2.3" diameter wheels flat or contoured induction hardened with permanently sealed precision ball bearings
- Hardened ball bearing side thrust rollers
- Minimum horizontal radius - 18"
- Minimum vertical radius - 36"

Options

- UT-500-S with spool and no load link
- UT-500-LL with load link
- Standard conveyor wheel 2.3" diameter flat or contoured with lubricated ball bearings

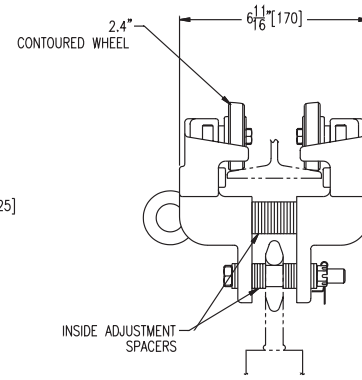


UT-500-S TROLLEYS



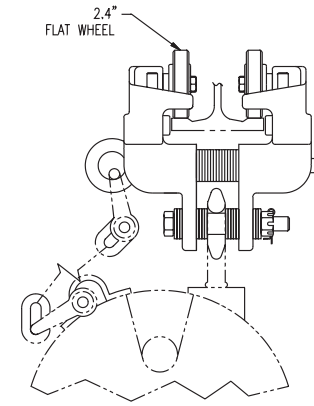
UT-500-S-266 (10355)

FOR OPERATION ON
S4 BEAM WITH 2.66" [67.6]
FLANGE WIDTH



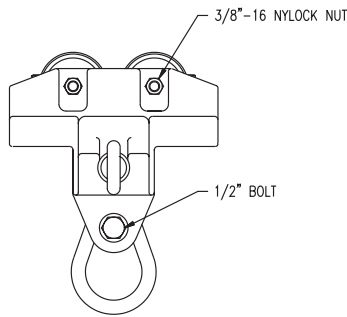
UT-500-S-333 (10354)

FOR OPERATION ON
S6 BEAM WITH A FLANGE
WIDTH OF 3.33" [84.6]

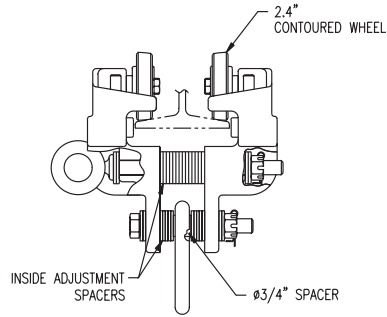


UT-500-S-325 (10353)

FOR OPERATION ON FLAT RAIL
WITH A 3.25" [82.6] FLANGE WIDTH.
HOOK MOUNTED BALANCER SHOWN

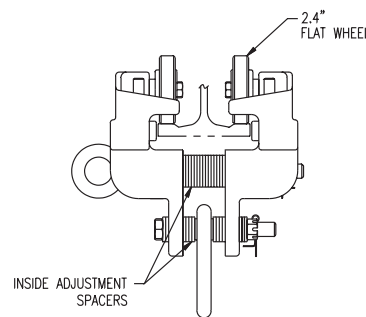


UT-500-LL TROLLEYS



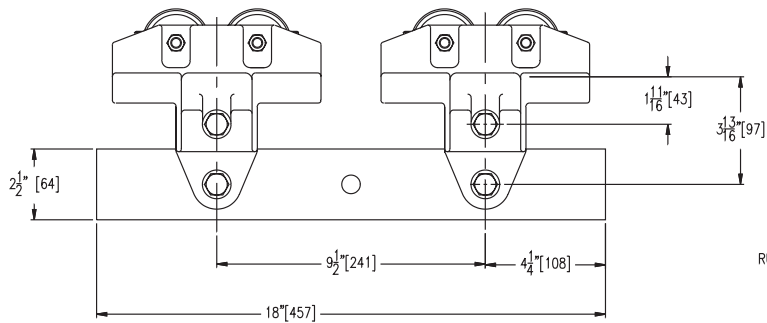
UT-500-LL-333 (10351)

FOR OPERATION ON
S6 BEAM WITH A FLANGE
WIDTH OF 3.33" [84.6]

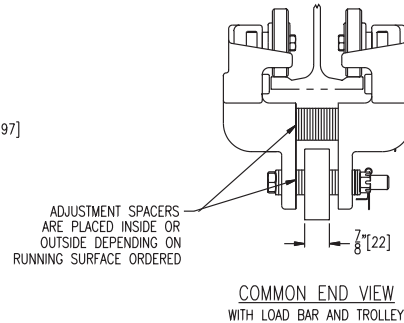


UT-500-LL-325 (10350)

FOR OPERATION ON
FLAT RAIL WITH 3.25" [82.6]
FLANGE WIDTH



COMMON SIDE VIEW



COMMON END VIEW
WITH LOAD BAR AND TROLLEY

ADJUSTMENT SPACERS
ARE PLACED INSIDE OR
OUTSIDE DEPENDING ON
RUNNING SURFACE ORDERED

TROLLEY SPECIFICATIONS:

RATED LOAD: 500 LBS (224 Kgs)
WEIGHT: 9.2 LBS (4.1 Kgs)
BODY: HIGH TENSILE ALMAG
WHEELS: ϕ 2.4" [61] DIA. FLAT OR CONTOUR.
STUD: ϕ 3/8" [9.5]
THRUST ROLLERS: BALL THRUST BEARING
HARDENED AND GROUND

LABORATORY TEST DATA:

YIELD STRENGTH: 1,100 LBS (492.8 Kgs)
ULTIMATE YIELD STRENGTH: 12,700 LBS (5689.6 Kgs)
DROP TEST: 500 LBS (224 Kgs) DROPPED FROM 6"

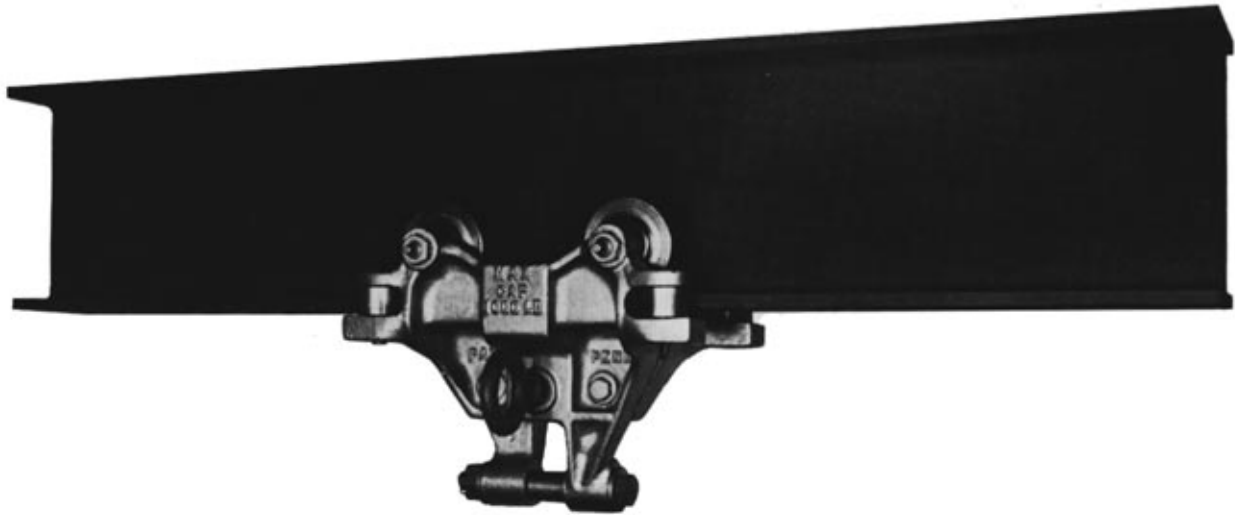
NOTE:

WHEN ORDERING SPECIFY EXACT WIDTH
OF RUNNING SURFACE FLANGE.
(1) 2.33" [59.2] FOR S3 BEAM
(2) 2.66" [67.6] FOR S4 BEAM
(3) 3.33" [84.6] FOR S6 BEAM
(4) 3.25" [82.6] FOR FLAT RAIL

EASY WAY CURVED RAIL MINIMUM RADIUS OF 18" [457]
HARDWAY CURVED RAIL MINIMUM RADIUS OF 36" [914]

OPTIONAL USES:

- (1) USED IN TANDEM WITH A LOAD BAR TO MAX. LOAD OF 1000 LBS (448 Kgs)
- (2) USED FOR BRIDGE CRANE END TRUCKS
- (3) USED FOR HOOK MOUNTED DEVICES, SAFETY CHAINS AND SHACKLES CAN BE ORDERED FOR HOOK MOUNTED DEVICES



Model Number

- TA-325 for operation on 3.25/3.33" flange flat rail
- TA-4 for operation on 2.66" flange 4" S-Beam
- TA-6 for operation on 3.33" flange 6" S-Beam

Application

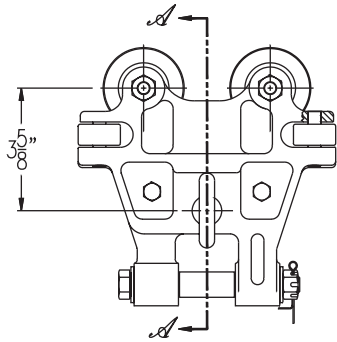
- For suspension of portable tools, welding guns, balancers, hoists, fixtures etc.

Features

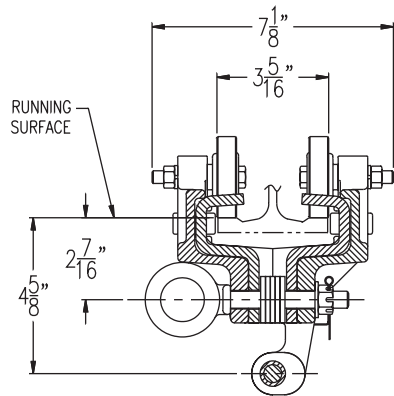
- Patented dual safety clevis
- High tensile almag alloy frames
- Trolley frames are hinged for ease of installation
- Hardened and ground ball bearing side thrust rollers
- Minimum track radius is 60 inches

Options

- Available as shown with wear sleeve for hook mounting
- Available with insulation at hook mounting and penetrating eye bolt

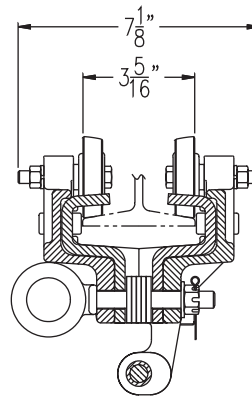


COMMON SIDE VIEW



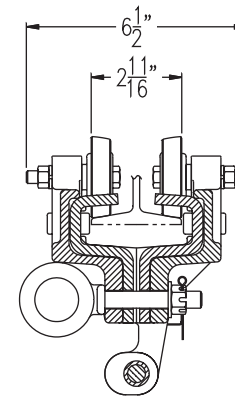
SECTION A-A

TA-325 (10295)
FOR OPERATION ON STANDARD FLAT
RAIL WITH 3.25"[82.6] FLANGE WIDTH



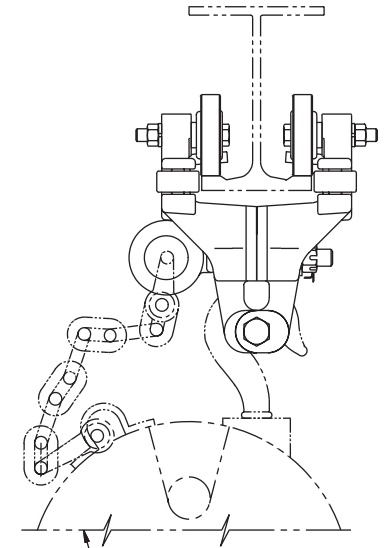
SECTION A-A

TA-6-333 (10300)
FOR OPERATION ON S6 BEAM
WITH 3.33"[84.6] FLANGE WIDTH

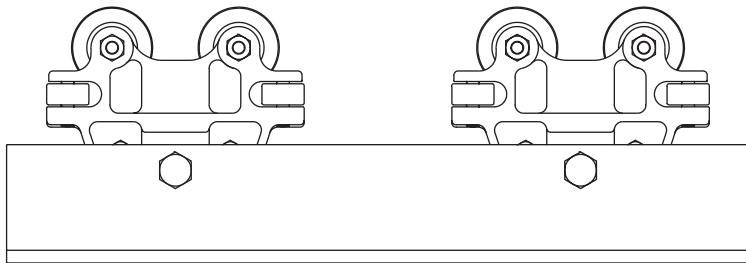


SECTION A-A

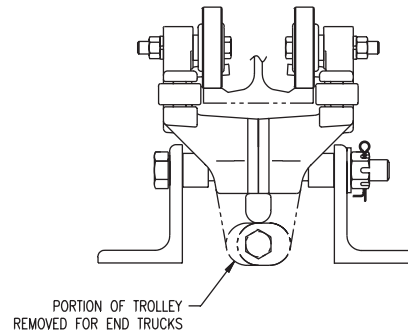
TA-4-266 (10290)
FOR OPERATION ON S4 BEAM
WITH 2.66"[67.6] FLANGE WIDTH



HOOK MOUNTED SPRING BALANCER
WITH OPTIONAL SAFETY CHAINS &
SHACKLES



TA-325 END TRUCK ASSEMBLY



PORTION OF TROLLEY
REMOVED FOR END TRUCKS

TROLLEY SPECIFICATIONS

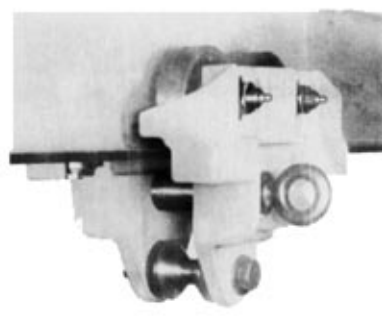
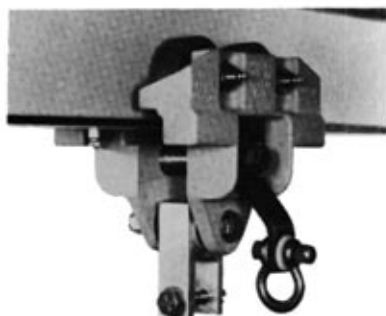
RATED LOAD: 1000 LBS. (448 Kgs)
WEIGHT: 10 LBS. (4.5 Kgs)
BODY: HIGH TENSILE ALMAG
WHEEL: 2.40" [61] DIA.
STUD: 3/8" [9] DIA.
ROLLERS: THRUST BALL BEARING
HARDENED & GROUND

LAB TESTING DATA

TANDEM
YIELD STRENGTH: 9,800 LBS(4390.4 Kgs)
TANDEM ULTIMATE
TENSILE STRENGTH: 13,700(6137.6 Kgs)
EYE BOLT: DROP TEST 1000 LBS(448 kgs)
AT 6"[152]
COMPLIES WITH O.S.H.A. SAFETY STANDARDS

NOTE:

WHEN ORDERING SPECIFY EXACT WIDTH
OF RUNNING SURFACE FLANGE.
(1) 3.25"[82.6] FOR STANDARD FLAT RAIL
(2) 2.66"[67.6] FOR S4 BEAM
(3) 3.33"[84.6] FOR S6 BEAM
MINIMUM RADIUS OF 48"[1219]



Model Number

- Series UT-1000 fully adjustable with stored spacers for the following rail sizes:
- For operation on 4" or 6" S-Beam
- For operation on 3.25" flange flat rail
- For operation on 3.33" flange flat track

Application

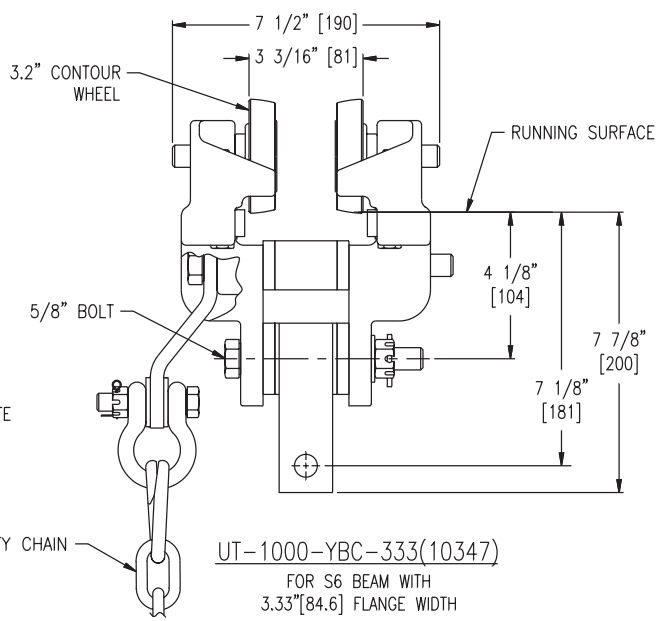
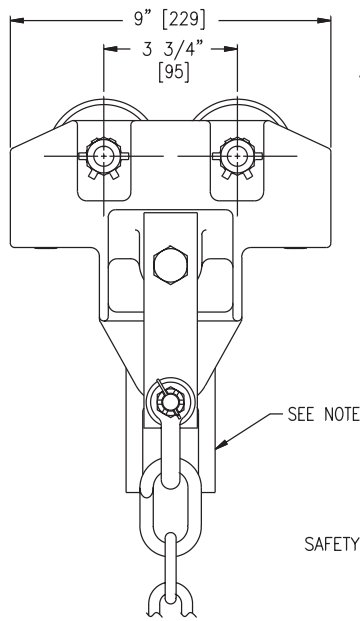
- Suspension of weld gun balancers, hoists, nut runners, rivet guns, fixtures etc.
- Used in pairs for load bars or bridge crane end trucks

Features

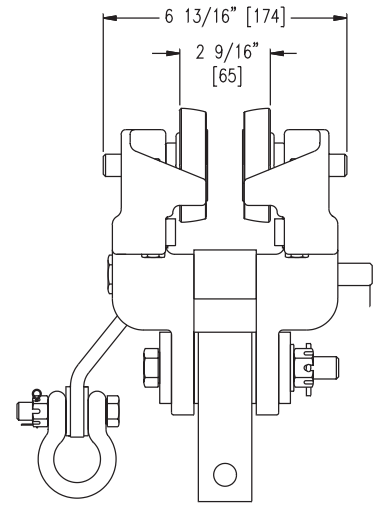
- High tensile almag alloy frames
- Built-in safety lugs, integral in almag frames
- Safety through eye bolt penetrates both almag trolley frames
- Shielded side guide rollers
- Hardened and ground ball bearing side guide rollers
- Minimum track radius 24 inches

Options

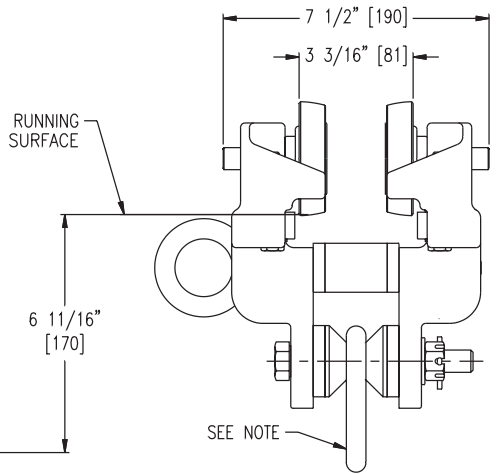
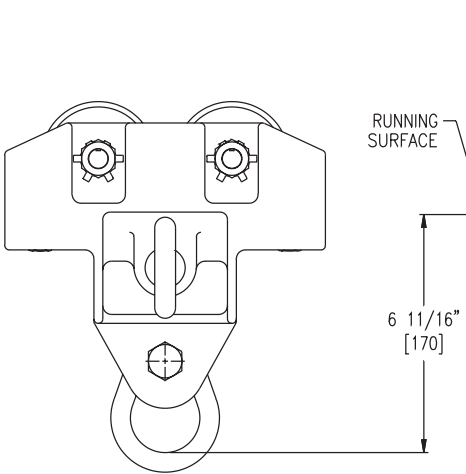
- UT-1000-YB dielectrically insulated yoke block, safety strap and shackle
- UT-1000-LL — non-insulated with forged through eye bolt, spool and load link
- UT-1000-S — non-insulated with spool
- 3.25" dia. flat or contoured load wheel
- Lubricated hardened and ground steel wheel (standard)
- Permanently lubricated forged steel wheels induction hardened



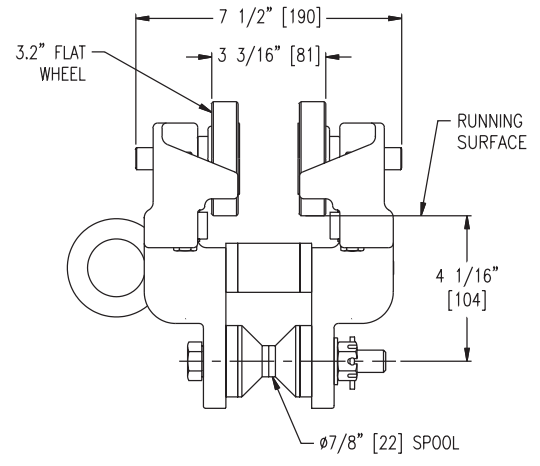
UT-1000-YBC-333(10347)
FOR S6 BEAM WITH
3.33"[84.6] FLANGE WIDTH



UT-1000-YBC-266(10348)
FOR S4 BEAM WITH
2.66"[67.6] FLANGE WIDTH.



UT-1000-LL-333(10341)
FOR S6 BEAM WITH
3.33"[84.6] FLANGE WIDTH.



UT-1000-S-325(10343)
FOR FLAT RAIL WITH
3.25"[82.6] FLANGE WIDTH

TROLLEY SPECIFICATIONS

RATED LOAD: 1,000 LBS (448 Kgs)
WEIGHT: 18 LBS (8.1 Kg) TO 18.5 LBS (8.3 Kgs)
BODY: HIGH TENSILE ALMAG.
WHEELS: ϕ 3.2" [81.3] WITH A ϕ 5/8" STUD
THRUST ROLLERS: BALL BEARING HARDENED
AND GROUND

LABORATORY TESTING DATA

INSULATED TROLLEY

YIELD STRENGTH: 17,400 LBS (7795 Kgs)
ULTIMATE TENSILE
STRENGTH: 19,000 LBS (8512 Kgs)

NON-INSULATED TROLLEY

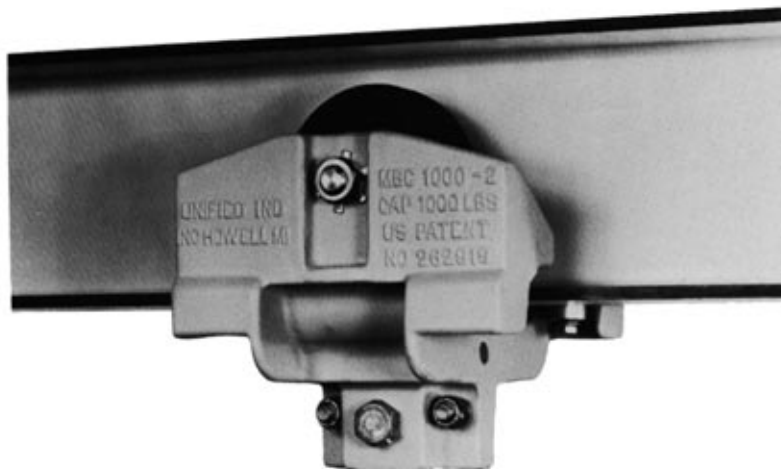
YIELD STRENGTH: 18,500 LBS (8288 Kgs)
ULTIMATE TENSILE
STRENGTH: 20,000 LBS (8960 Kgs)
DIELECTRIC STRENGTH TEST PER ASTM
SPECIFICATION D-149,
5/8" DIA. LOAD BOLT BREAKDOWN OCCURRED
3.4KV
1/2" DIA. FORGED SHACKLE BREAKDOWN
OCCURRED AT 5.0 KV
DROP TEST: 1000 LBS (448 Kgs) AT 6" [152]
COMPLIES WITH O.S.H.A. SAFETY STANDARDS.

OPTION:

SAFETY CHAIN CONSISTING OF TWO REPAIR LINKS
AND FIVE LINKS OF 3/8" TRIPLE "B" CHAIN

NOTE:

UT-1000-YBC TROLLEY 5/8" DIA. GRADE 5 BOLT
SUPPLIED UPON REQUEST FOR HOOK OR YOKE
MOUNTED EQUIPMENT.
UT-1000-LL TROLLEY 5/8" DIA. LOAD LINK FOR
HOOK MOUNTED EQUIPMENT.
UT-1000-S TROLLEY 7/8" DIA. SPOOL FOR HOOK
MOUNTED EQUIPMENT.
NON-INSULATED UT-1000-LL OR UT-1000-S
INSULATED UT-1000-YB
WHEN ORDERING SPECIFY WIDTH OF RUNNING
SURFACE FLANGE.
(1) 3.25" [82.6] FOR FLAT RAIL
(2) 3.33" [84.6] FOR S6 BEAM
(3) 2.66" [67.6] FOR S4 BEAM



Model Number

- MBC-1000 for operation on 3.25"/3.33" flange flat rail
- MBC-1000 for operation on 3.33" flange 6" S-Beam

Application

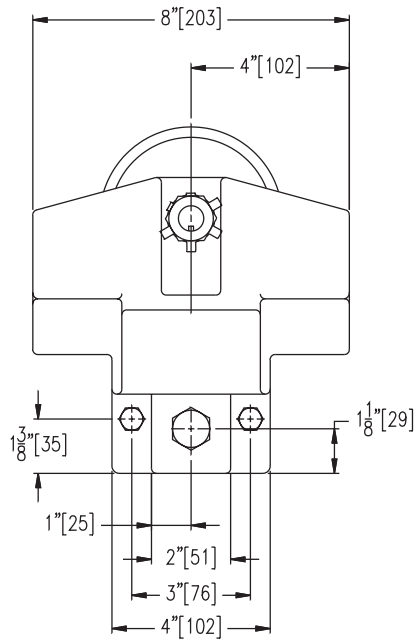
- Used in pairs for bridge crane end truck assemblies and load bars

Features

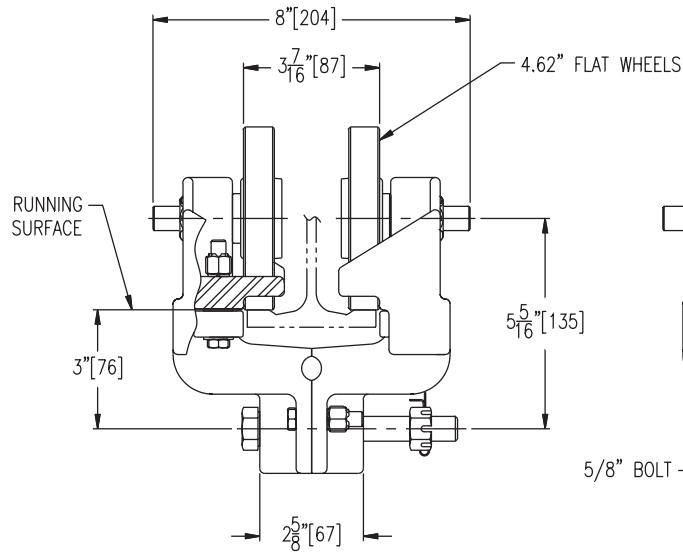
- Built-in safety lugs, integral in almag frames
- High tensile almag alloy frames
- 4.62" diameter drop forged steel load wheels with low friction sealed bearings permanently lubricated
- Hardened and ground ball bearing side thrust rollers

Options

- Dual bearing for greater rated loads up to 1500 pounds

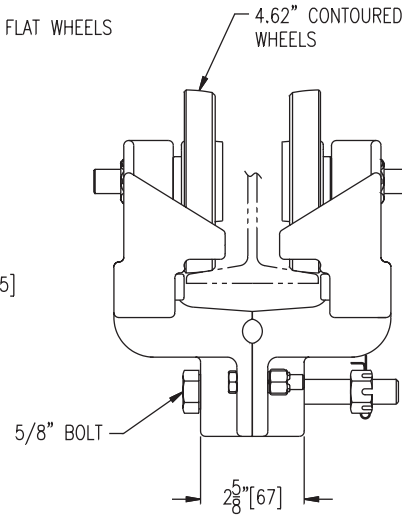


COMMON SIDE VIEW



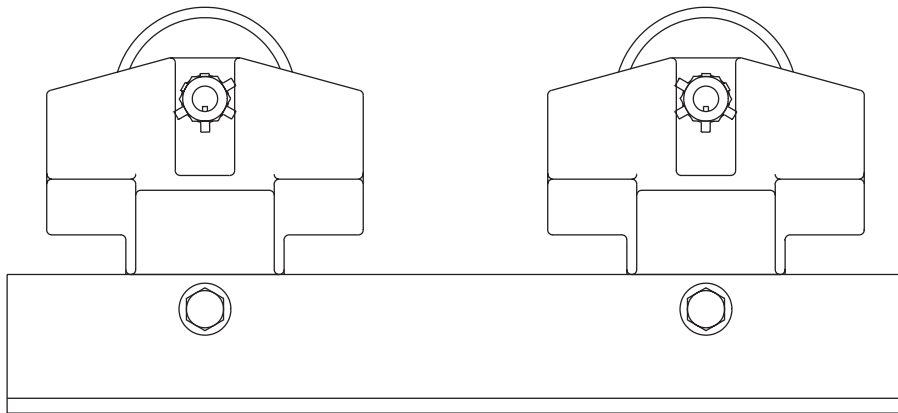
MBC-1000-2-325(10140)

FOR OPERATION ON FLAT RAIL WITH
3.25"[82.6] OR 3.33"[84.6] FLANGE WIDTH.
SPECIFY 1000LBS [448Kgs]
OR 1500LBS [672Kgs] (10142)



MBC-1000-2-333(10141)

FOR OPERATION ON S6 BEAM
WITH 3.33"[84.6] FLANGE WIDTH.
SPECIFY 1000LBS [448Kgs] OR
1500LBS [672Kgs] (10143)



BRIDGE CRANE END TRUCK ASSEMBLY

COMPLETE WITH SAFETY LUGS. AVAILABLE
IN VARIOUS LENGTHS USED ON UNIFIED BRIDGE CRANES.

TROLLEY SPECIFICATIONS

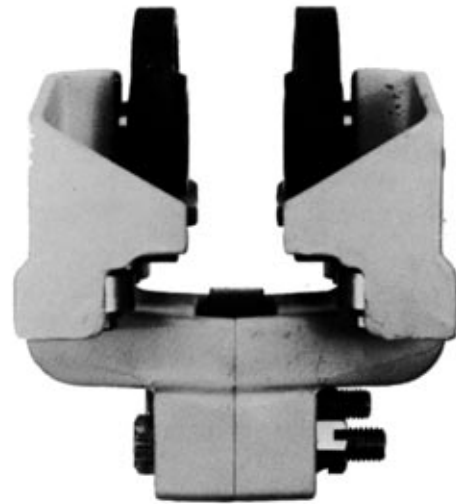
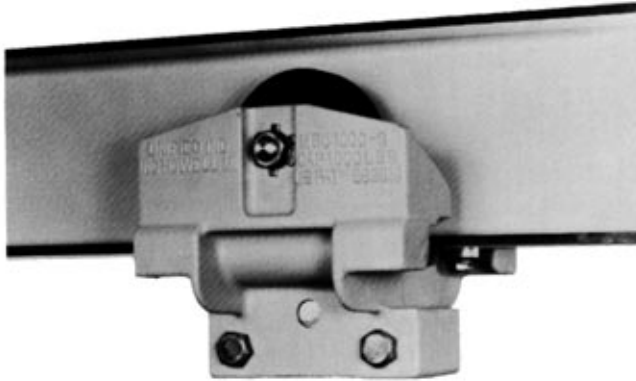
RATED LOAD: 1000 LBS. [448 Kgs.]
1500 LBS. [672 Kgs.]
WEIGHT: 15 LBS. [6.7 Kgs.]
BODY: HIGH TENSILE ALMAG
WHEEL: 4.62" [117.5mm] DIA.
STUD: 5/8" [15.9mm] DIA.
ROLLERS: BALL BEARING HARDENED
& GROUND

LAB TESTING DATA

TANDEM
YIELD STRENGTH: 15,000 [6720 Kgs]
TANDEM ULTIMATE
TENSILE STRENGTH: 20,500 [9184 Kgs]

NOTE:

WHEN ORDERING SPECIFY EXACT WIDTH
OF RUNNING SURFACE FLANGE.
1. 3.25 [82.6] FOR FLAT RAIL
2. 2.66 [67.6] FOR S4 BEAM
3. 3.33 [84.6] FOR S6 BEAM



Model Number

- MBC-1000-3 for operation on 3.25"/3.33" flange flat rail
- MBC-1000-3 for operation on 3.33" flange 6" S-Beam

Application

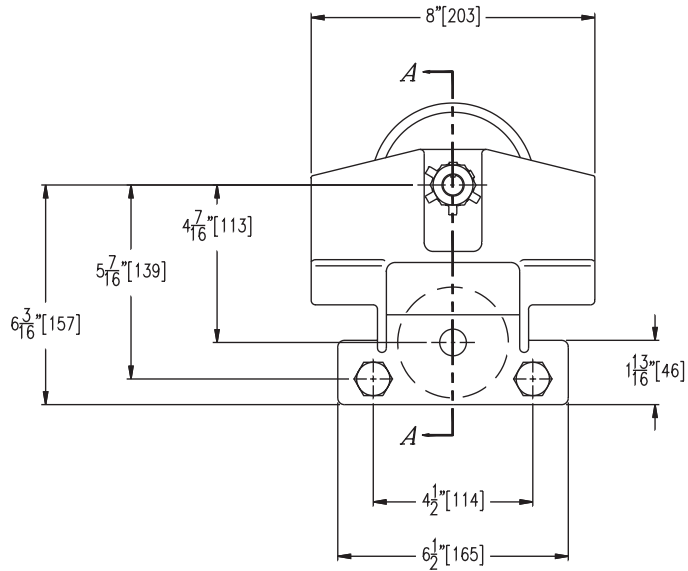
- Used in pairs on one or both end truck assemblies of medium or standard bridge cranes with overhanging bridge beam
- Can be adapted for tools or fixtures where a "kick-up" rolling action is required

Features

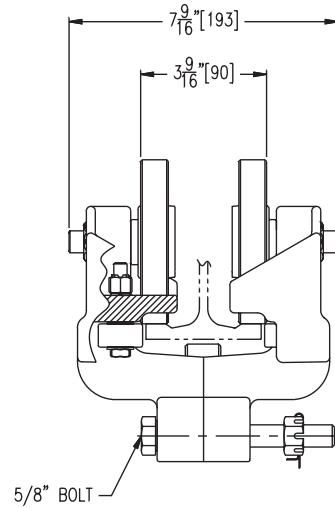
- Built-in safety lugs, integral in frames
- High tensile almag alloy frames
- 4.62" diameter drop forged steel load wheels with low friction sealed bearings permanently lubricated
- Third wheel acts as a counter thrust to avoid kick-up when load is extended beyond normal bridge span. This will allow movement of bridge with suspended load
- Hardened and ground ball bearing side thrust rollers

Options

- Dual bearings for greater rated loads up to 1500 pounds

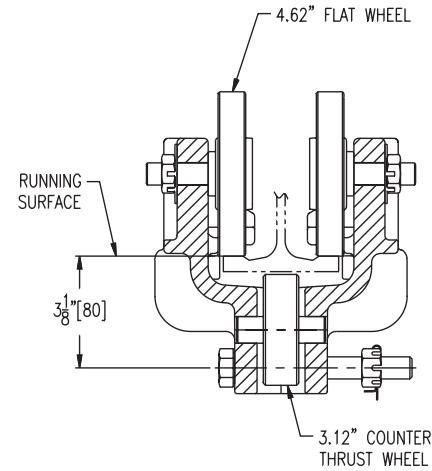


COMMON SIDE VIEW

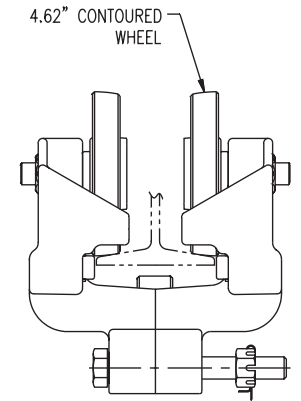


MBC-1000-3-325(10150)

TWO WHEEL TROLLEY WITH COUNTER THRUST WHEEL FOR OPERATION ON FLAT RAIL WITH 3.25" [82.6] OR 3.33" [84.6] FLANGE WIDTH. SPECIFY 1000LBS [448Kgs] OR 1500LBS [672Kgs] (10152)



SECTION A-A



MBC-1000-3-333(10151)

TWO WHEEL TROLLEY WITH COUNTER THRUST WHEEL FOR OPERATION ON S6 BEAM WITH 3.33" [84.6] FLANGE WIDTH. SPECIFY 1000LBS [448Kgs] OR 1500LBS [672Kgs] (10153)

TROLLEY SPECIFICATIONS

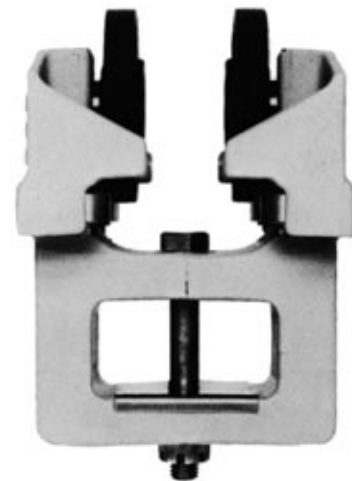
RATED LOAD: 1000 LBS [448Kgs]
 1500 LBS [672Kgs]
 WEIGHT: 16LBS [7.2Kgs]
 TROLLEY BODY: HIGH TENSILE ALMAG
 WHEEL: 4.62" [117mm] DIA.
 STUD: 5/8" [15.9mm] DIA.
 THRUST ROLLERS: BALL BEARING
 HARDENED AND GROUND.

LABORATORY TEST DATA

YIELD STRENGTH: 14,000 LBS [6272Kgs]
 ULTIMATE TENSILE STRENGTH: 20,500 LBS [9184Kgs]

NOTE:

WHEN ORDERING PLEASE SPECIFY EXACT WIDTH OF RUNNING SURFACE. FLANGE OPTIONS ARE:
 3.25" [82.6] FOR STD. FLAT RAIL & 3.33" [84.6] FLAT RAIL.
 3.33" [84.6] FOR S6 BEAM



Model Number

- AC-1027-1 for operation on 3.25"/3.33" flange flat rail
- AC-1027-1 for operation on 3.33" flange 6" S-Beam

Application

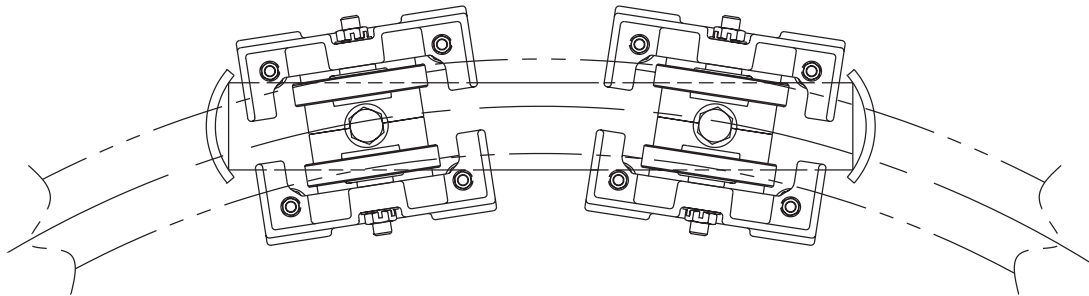
- Used in pairs for bridge crane end truck assemblies to negotiate minimum 3 foot curved runways
- Load bars for curved monorail, minimum 3 foot radius

Features

- High tensile almag alloy frames
- Built-in safety lugs, integral in almag frames
- 4.62" diameter drop forged steel load wheels with low friction sealed bearings permanently lubricated
- Hardened and ground ball bearing side thrust rollers
- Steel pivot pin (centralized to permit rotation around its axis)
- Brass wear plate

Options

- Dual bearings for greater rated loads up to 1500 pounds



CURVED RAIL RADIUS	"A" WHEEL BASE	"B" OVERALL
3'-0" [914]	12" [304]	22" [558]
4'-0" [1219]	18" [457]	28" [711]
5'-0" [1524]	24" [609]	34" [863]
6'-0" [1828]	30" [762]	40" [1016]
7'-0" [2133]	36" [914]	46" [1168]
8'-0" [2438]	42" [1066]	52" [1320]
9'-0" [2743]	48" [1219]	58" [1473]
10'-0" [3048]	54" [1371]	64" [1625]

TROLLEY SPECIFICATIONS

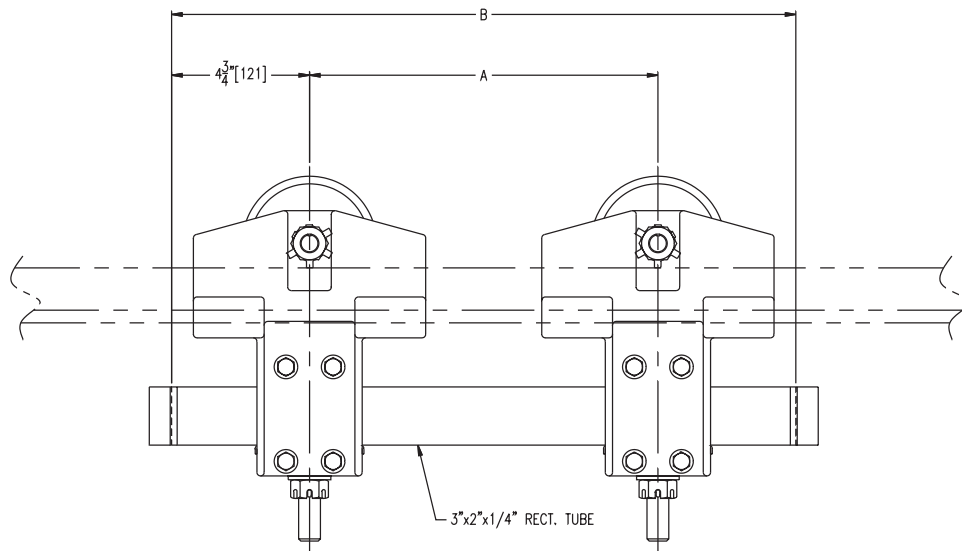
RATED LOAD: 1000 LBS (448 Kgs)
 1500 LBS (672 Kgs)
 WEIGHT: 18.5 LBS (8.3 Kgs)
 BODY: HIGH TENSILE ALMAG
 WHEEL: 4.62" [117.3] DIA.
 4.50" [114.3] DIA. FLANGED
 5/8" [15.9] DIA. STUD
 SIDE THRUST ROLLERS: BALL BEARING
 (AS REQ'D)

LABORATORY TESTING DATA:

YIELD STRENGTH: 15,000 LBS (6720 Kgs)
 ULTIMATE TENSILE STRENGTH: 17,500 LBS (7840 Kgs)

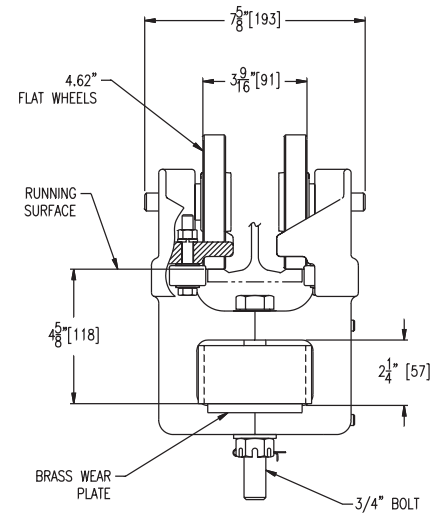
NOTE:

WHEN ORDERING SPECIFY EXACT WIDTH OF RUNNING SURFACE FLANGE:
 3.25" [82.6] FOR FLAT RAIL
 3.33" [84.6] FOR S6 BEAM
 SPECIFY 1000 LBS OR 1500 LBS RATED LOAD.



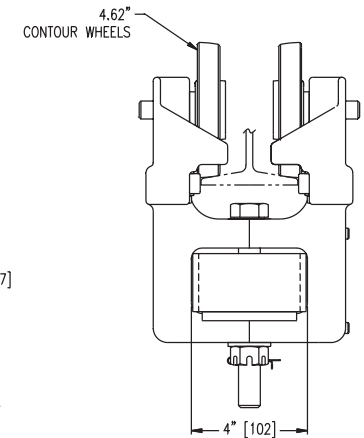
AC-1027 LOAD BAR ASSEMBLY

COMMON SIDE VIEW



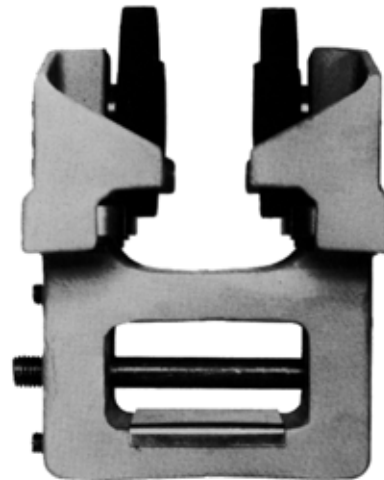
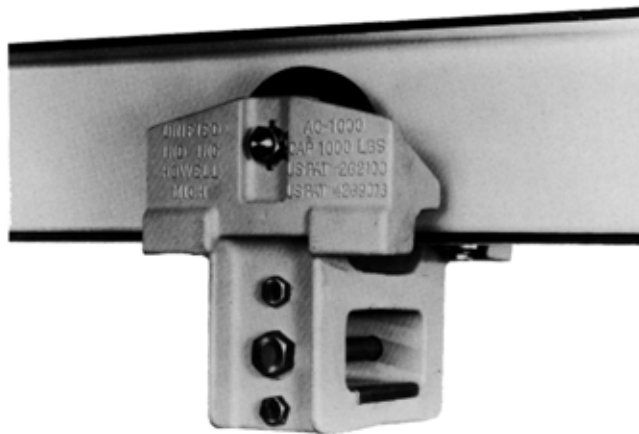
AC-1027-325(10010)

FOR OPERATION ON STD. FLAT RAIL WITH 3.25" [82.6] FLANGE WIDTH.



AC-1027-333(10011)

FOR OPERATION ON S6 BEAM WITH 3.33" [84.6] FLANGE WIDTH



Model Number

- SAC-1020-1 for operation on 3.25"/3.33" flange flat rail
- SAC-1020-1 for operation on 3.33" flange 6" S-Beam

Applications

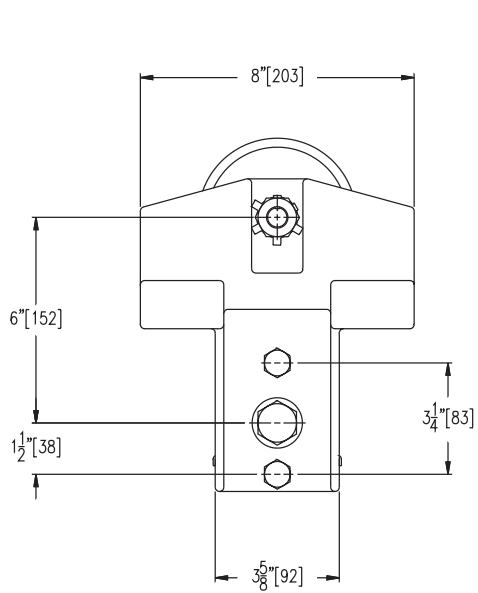
- Used in pairs for bridge crane end truck assemblies where runway spans are not parallel

Features

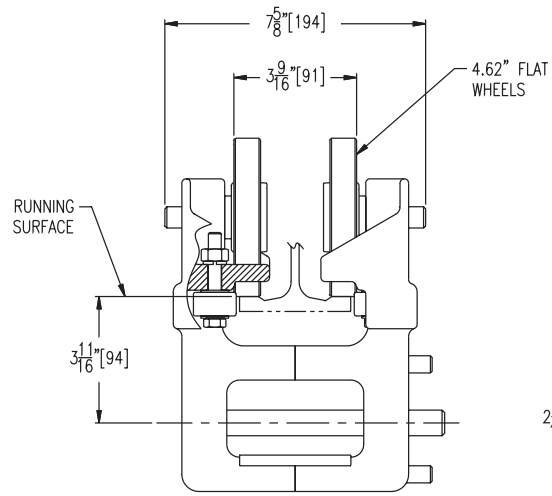
- High tensile almag alloy frames
- Built-in safety lugs, integral in frames
- 4.62" diameter drop forged steel load wheels with low friction sealed bearings permanently lubricated
- Hardened and ground ball bearing side thrust rollers
- Steel self-aligning pin
- Brass wear plate

Options

- Dual bearings for greater rated loads up to 1500 pounds

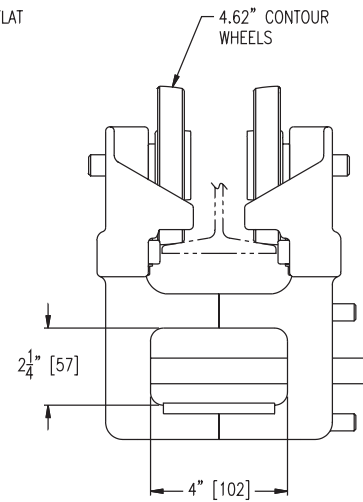


COMMON SIDE VIEW



SAC-1020-325(10220)

FOR OPERATION ON STANDARD
FLAT RAIL WITH A 3.25" [82.6]
FLANGE WIDTH



SAC-1020-333(10221)

FOR OPERATION ON S6 BEAM WITH
A 3.33" [84.6] FLANGE WIDTH

TROLLEY SPECIFICATIONS

RATED LOAD: 1000 LBS (448 Kgs)
1500 LBS (672 Kgs)
WEIGHT: 17 LBS (7.6 Kgs)
BODY: HIGH TENSILE ALMAG
WHEELS: 4.63" [117.5] DIA.
STUD: 5/8" [15.9] DIA.
SIDE THRUST ROLLERS ON MODELS
WITHOUT FLANGED WHEELS.

LABORATORY TESTING DATA:

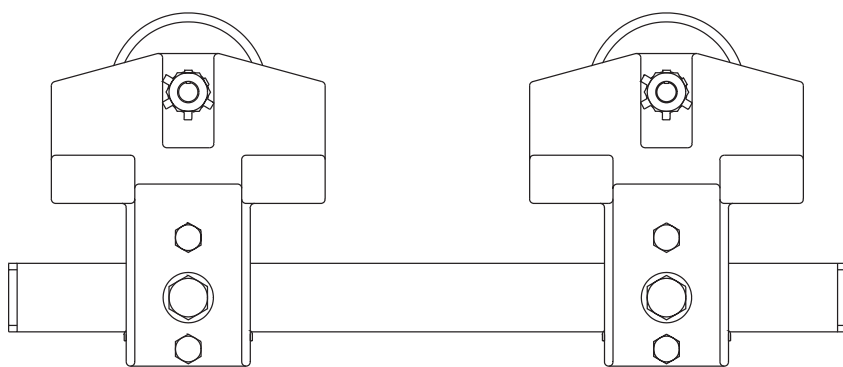
YIELD STRENGTH: 15,500 LBS (6944 Kgs)
ULTIMATE TENSILE
STRENGTH: 17,500 LBS (7840 Kgs)

NOTE:

WHEN ORDERING SPECIFY WIDTH
OF RUNNING SURFACE FLANGE
3.25" [82.6] ON FLAT RAIL
3.33" [84.6] ON S6 BEAM
SPECIFY:
1000 LBS (448 Kgs) CAPACITY
1500 LBS (672 Kgs) CAPACITY

APPLICATION:

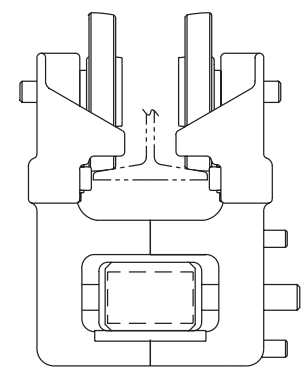
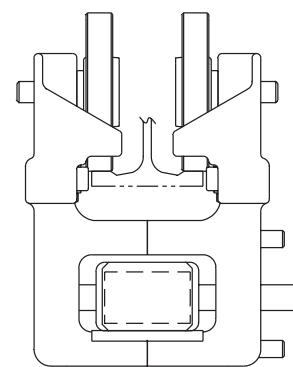
PAIR UP FOR BRIDGE CRANE END TRUCK
ASSEMBLIES IF RUNWAY SPAN IS NOT PARALLEL.

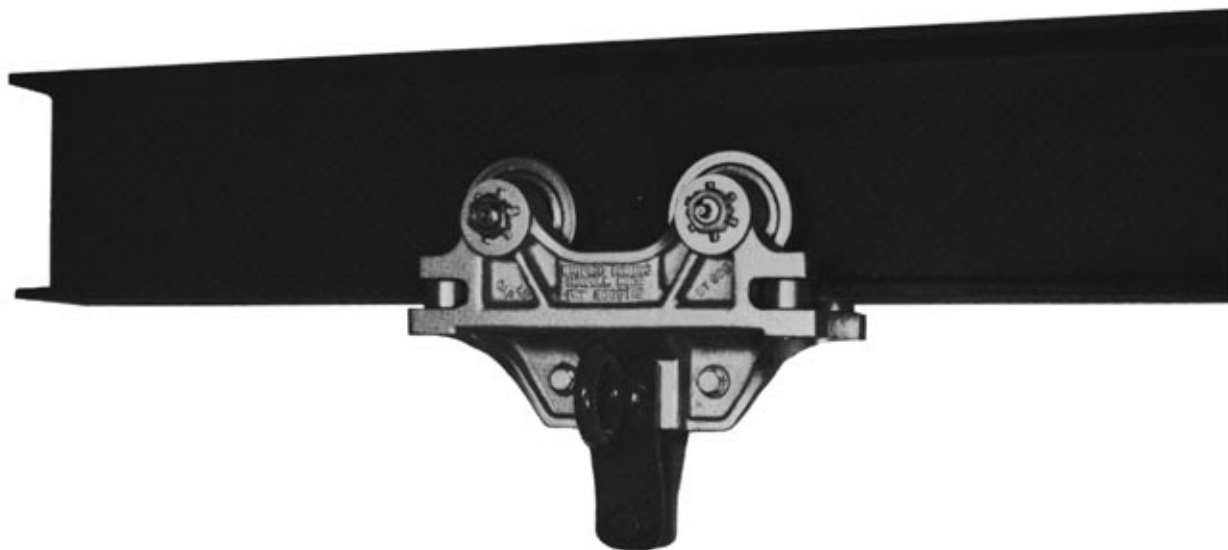


COMMON SIDE VIEW

SAC-1020 LOAD BAR ASSEMBLY

AVAILABLE IN VARIOUS LENGTHS





Model Number

- BT-325 for operation on 3.25"/3.33" flange flat rail
- BT-266 for operation on 2.66" flange 4" S-Beam
- BT-333 for operation on 3.33" flange 6" S-Beam

Application

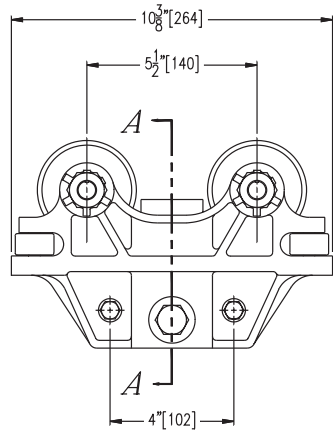
- For suspension of portable tools, welding guns, balancers, hoists, fixtures etc.
- Used in pairs for bridge crane end truck assemblies and load bars

Features

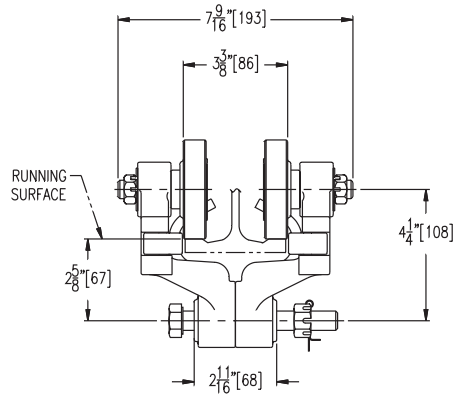
- Patented dual safety clevis
- 3.25" diameter load wheels
- High tensile almag alloy frames
- Hardened and ground ball bearing side thrust rollers
- Minimum track radius is 60 inches

Options

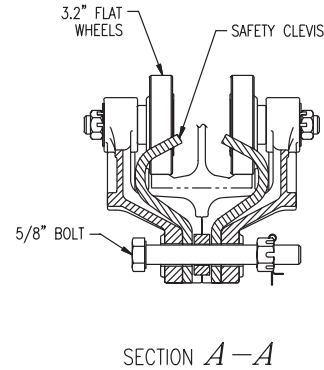
- Available with or without forged eye bolt
- Available with or without dual hanging strap
- Flat or contoured "Conveyor" steel load wheels



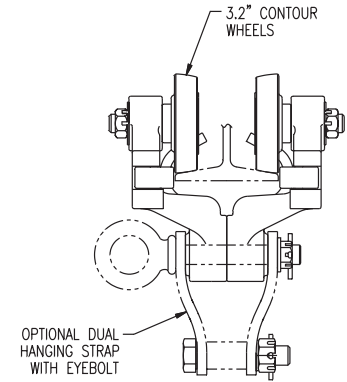
COMMON SIDE VIEW



BT-325(10051)
FOR OPERATION ON FLAT RAIL
WITH 3.25" [82.6] FLANGE WIDTH

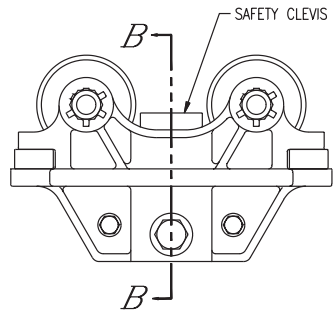


SECTION A-A

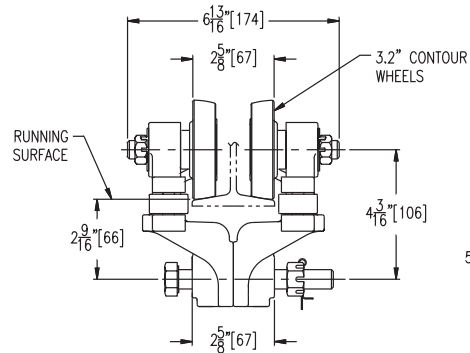


BT-333(10052)

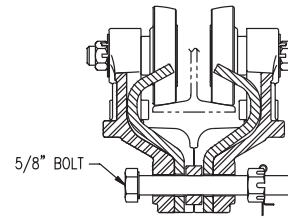
FOR OPERATION ON S6 BEAM
WITH 3.33" [84.6] FLANGE WIDTH.



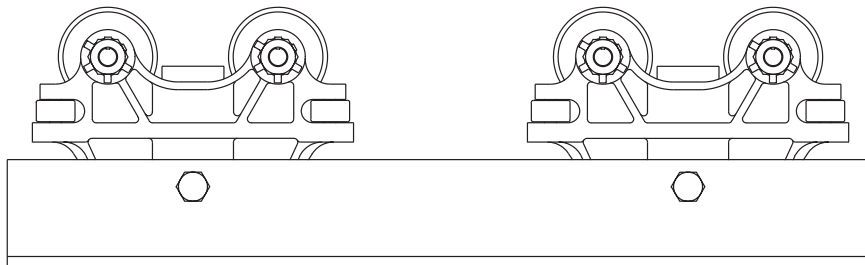
COMMON SIDE VIEW



BT-266(10040)
FOR OPERATION ON S4 BEAM
WITH 2.66" [67.6] FLANGE WIDTH.



SECTION B-B



BRIDGE CRANE END TRUCK
AVAILABLE IN VARIOUS LENGTHS

TROLLEY SPECIFICATIONS:

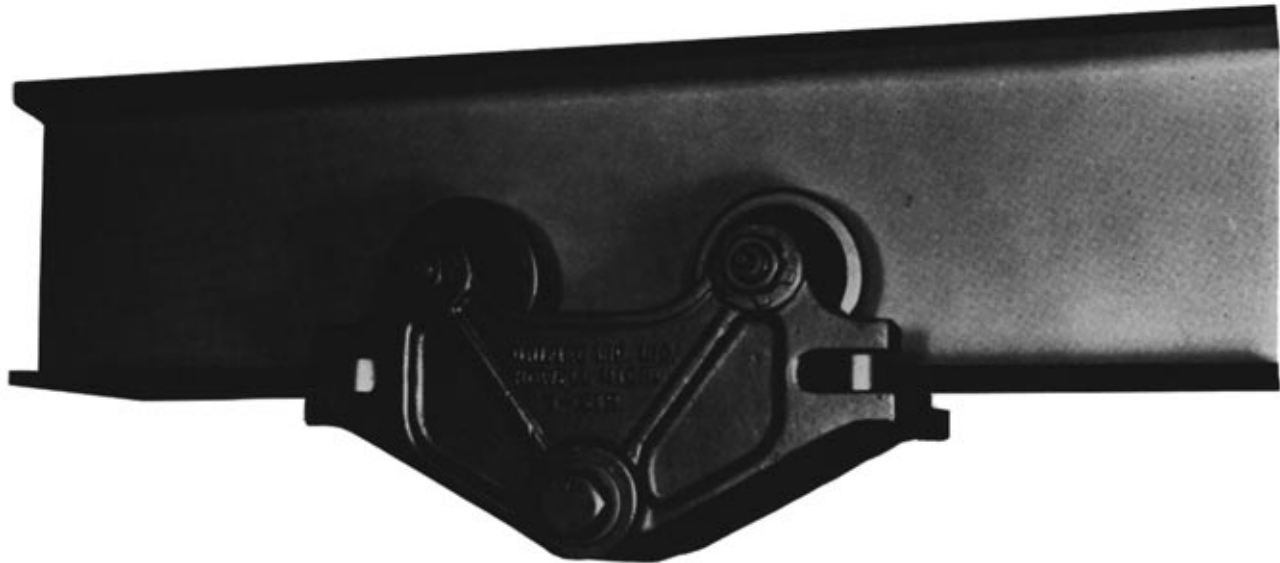
RATED LOAD: 1,500 LBS (672 Kgs)
WEIGHT: 16 LBS (7.2 Kgs)
BODY: HIGH TENSILE ALMAG
WHEELS: 3.2" [81.3] DIA.
STUDS: 5/8" [16] DIA.
THRUST ROLLERS: BEARING
HARDENED & GROUND

LABORATORY TEST DATA:

YIELD STRENGTH: 15,000 LBS (6720 Kgs)
ULTIMATE
TENSILE STRENGTH: 19,000 LBS (8512 Kgs)
SAFETY CLEVIS: FLOATING TYPE
FORGED EYE BOLT
DROP TEST: 1,500 LBS (672 Kgs)
COMPLIES WITH O.S.H.A. SAFETY STANDARDS.

NOTES:

WHEN ORDERING SPECIFY EXACT WIDTH OF
RUNNING SURFACE FLANGE.
(1) 3.25" [82.6] FOR FLAT RAIL
(2) 2.66" [67.6] FOR S4 BEAM
(3) 3.33" [84.6] FOR S6 BEAM
MINIMUM TRACK RADIUS 60" [1524].



Model Number

- T-612
- For operation 4, 6, 8, 10, or 12" S-Beam
- For operation on 3.25" flange flat rail
- For operation on 3.33" flange flat track

Application

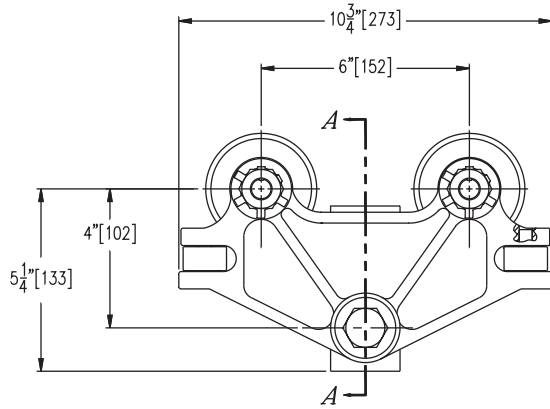
- For suspension of portable tools, welding guns, balancer, hoists, fixtures etc.

Features

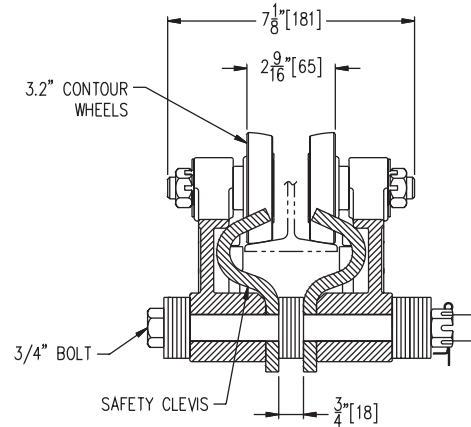
- Adjustable width
- Patented dual floating safety clevis
- High tensile almag alloy frames
- 3.25" diameter load wheels
- Hardened and ground ball bearing side thrust roller
- Hardened and ground ball bearing side thrust roller
- Minimum track radius is 72 inches

Options

- Flat or contoured "conveyor" steel load wheels

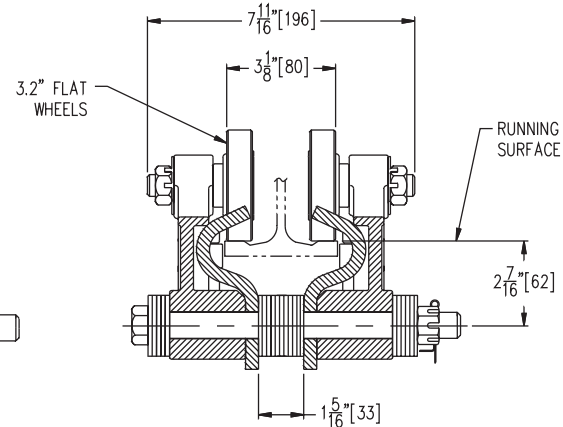


COMMON SIDE VIEW



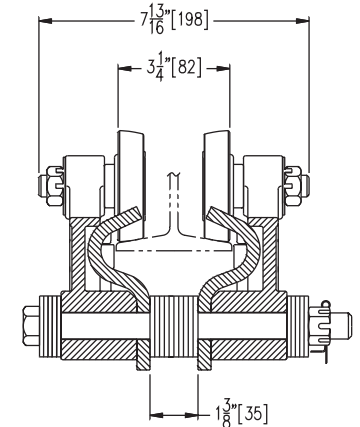
T-612-266(10250)

FOR OPERATION ON S4 BEAM
WITH 2.66" [67.6] FLANGE WIDTH



T-612-325(10251)

FOR OPERATION ON FLAT RAIL WITH
3.25" [82.6] OR 3.33" [84.6] FLANGE WIDTH



T-612-333(10252)

FOR OPERATION ON S6 BEAM
WITH 3.33" [84.6] FLANGE WIDTH

TROLLEY SPECIFICATIONS

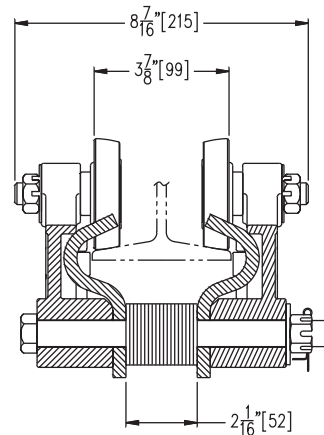
RATED LOAD: 1500 LBS (672 Kgs)
WEIGHT: 18 LBS (8.1 Kgs)
BODY: HIGH TENSILE ALMAG
WHEELS: 3.2" [81] DIA.
STUD: 5/8" [15] DIA.
THRUST ROLLERS: BALL BEARING
HARDENED AND GROUND

LABORATORY TESTING DATA

YIELD STRENGTH: 12000 LBS (5376 Kgs)
ULTIMATE
TENSILE STRENGTH: 16000 LBS (7168 Kgs)
SAFETY CLEVIS: FLOATING TYPE
DROP TEST: 1500 LBS (672 Kgs) AT 6" [152]
COMPLIES WITH O.S.H.A. SAFETY STANDARDS

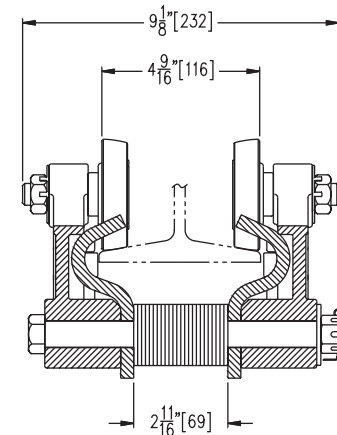
NOTE:

WHEN ORDERING PLEASE SPECIFY EXACT WIDTH
OF RUNNING SURFACE FLANGE:
(1) 2.66" [67.6] FOR S4 BEAM
(2) 3.25" [82.6] FOR FLAT RAIL
(3) 3.33" [84.6] FOR S6 BEAM
(4) 4" [101.6] FOR S8 BEAM
(5) 4.66" [118.4] FOR S10 BEAM
(6) 5" [127] FOR S12 BEAM
MINIMUM TRACK RADIUS 72"



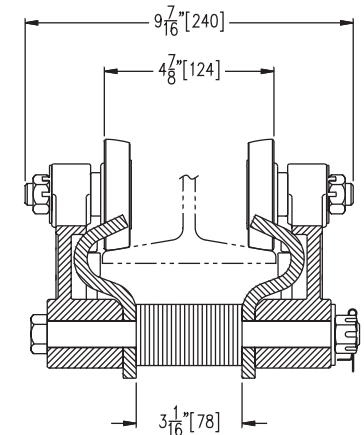
T-612-400(10253)

FOR OPERATION ON S8 BEAM
WITH 4.00" [101.6] FLANGE WIDTH



T-612-466(10254)

FOR OPERATION ON S10 BEAM
WITH 4.66" [118.4] FLANGE WIDTH



T-612-500(10255)

FOR OPERATION ON S12 BEAM
WITH 5.00" [127] FLANGE WIDTH



Model Number

- T-325 for operation on 3.25"/3.33" flange flat rail
- T-904 for operation on 2.66" flange 4" S-Beam
- T-906 for operation on 3.33" flange S-Beam
- Add suffix LL when ordering load link. (T-325-LL)
- Add prefix TS when ordering with swivel. (TS-325)

Applications

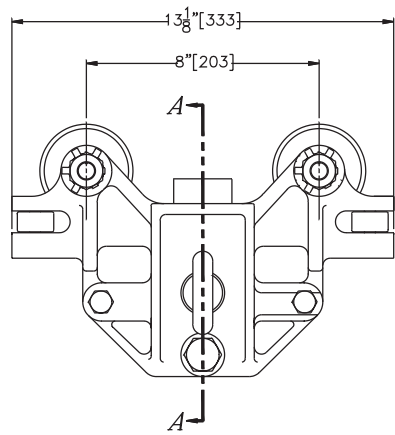
- Specifically designed for suspension of portable spotweld gun transformer stations not exceeding 2000 pounds rated load.
- For suspension of portable tools, hoists, fixtures etc.

Features

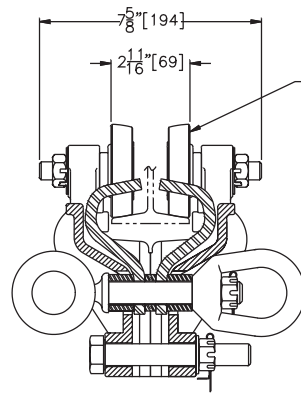
- Patented dual safety clevis
- High tensile almag alloy frames
- 3.25" diameter load wheels
- Hardened and ground ball bearing side thrust rollers

Options

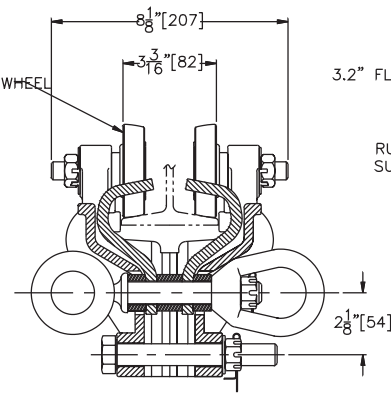
- Available with universal swivel assembly, eye bolt and eye nut
- Single or dual transformer trolley bumpers
- Flat or contoured "conveyor" steel load wheels
- Weldless forged load link
- Safety chains, 3/8" with shackles, specify number of links.



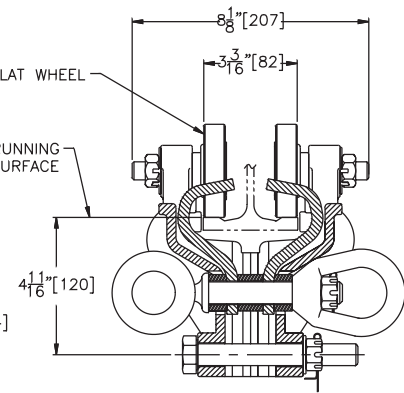
COMMON SIDE VIEW



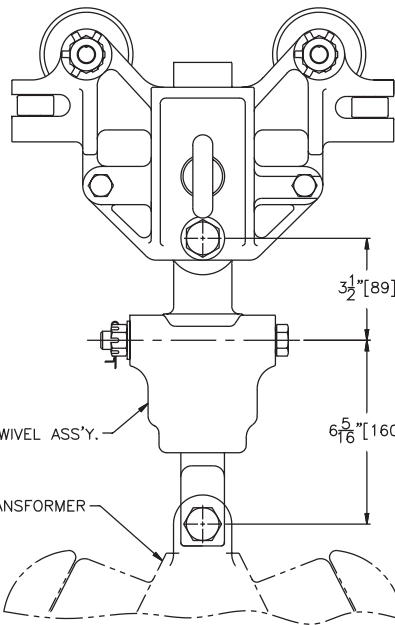
T-904-266(10260)
FOR OPERATION ON S4 BEAM
WITH 2.66" [67.6] FLANGE WIDTH



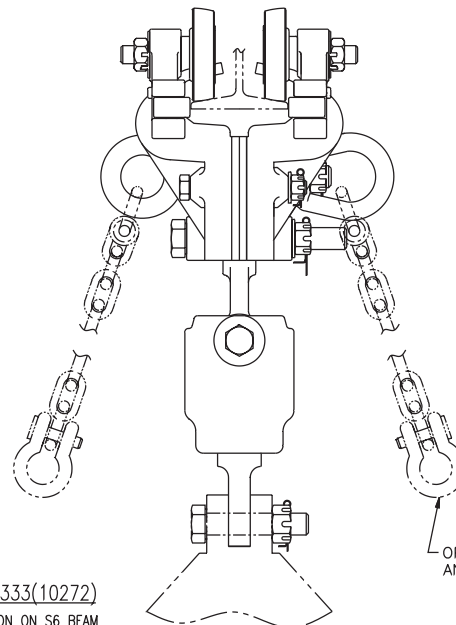
T-906-333(10270)
FOR OPERATION ON S6 BEAM
WITH 3.33" [84.6] FLANGE WIDTH



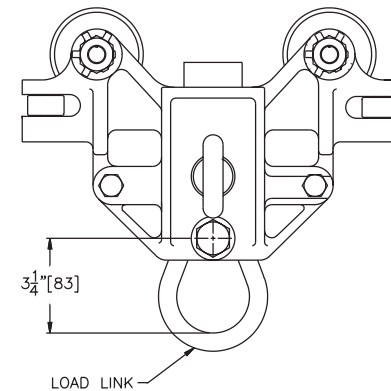
T-325-325(10275)
FOR OPERATION ON FLAT RAIL
WITH 3.25" [82.6] FLANGE WIDTH
OR 3.33" [84.6] FLANGE WIDTH.



TS-906-333(10272)
FOR OPERATION ON S6 BEAM
WITH 3.33" [84.6] FLANGE WIDTH



OPTIONAL SAFETY CHAINS
AND SHACKLES



T-906-333-LL(10271)
T-906 TROLLEY WITH LOAD LINK

TROLLEY SPECIFICATION:

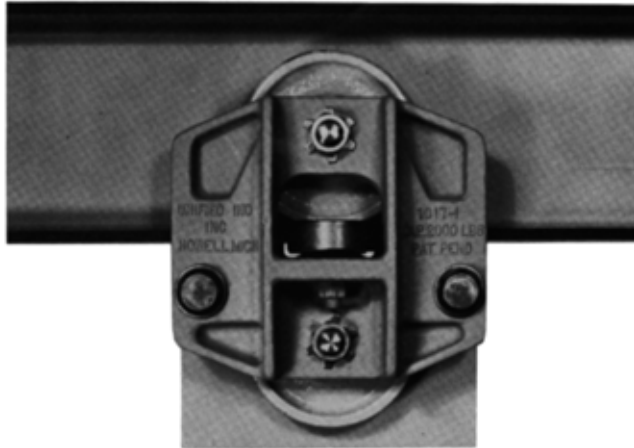
- RATED LOAD: 2000 LBS (896 Kgs)
- WEIGHT: 25 LBS (11.2 Kgs)
- BODY: HIGH TENSILE ALMAG
- WHEEL: 3.2" [81] DIA.
- STUD: 5/8" [15] DIA.
- THRUST ROLLERS: BALL BEARING;
HARDENED AND GROUND

LABORATORY TEST DATA:

- YIELD STRENGTH: 21,300 LBS (9542.4 Kgs)
- SAFETY CLEVIS: FLOATING TYPE
- FORGED EYE BOLT: DROP TEST 2000 LBS (896 Kgs)
AT 6" [152]
- ULTIMATE TENSILE
STRENGTH: 27,600 LBS (12364.8 Kgs)
- COMPLIES WITH O.S.H.A. STANDARDS

NOTE:

- WHEN ORDERING SPECIFY EXACT WIDTH OF
RUNNING SURFACE FLANGE:
- (1) 3.25" [82.6] FOR FLAT RAIL
- (2) 2.66" [67.6] FOR S4 BEAM
- (3) 3.33" [84.6] FOR S6 BEAM
- MINIMUM MONORAIL RADIUS 60" [1524]



Model Number

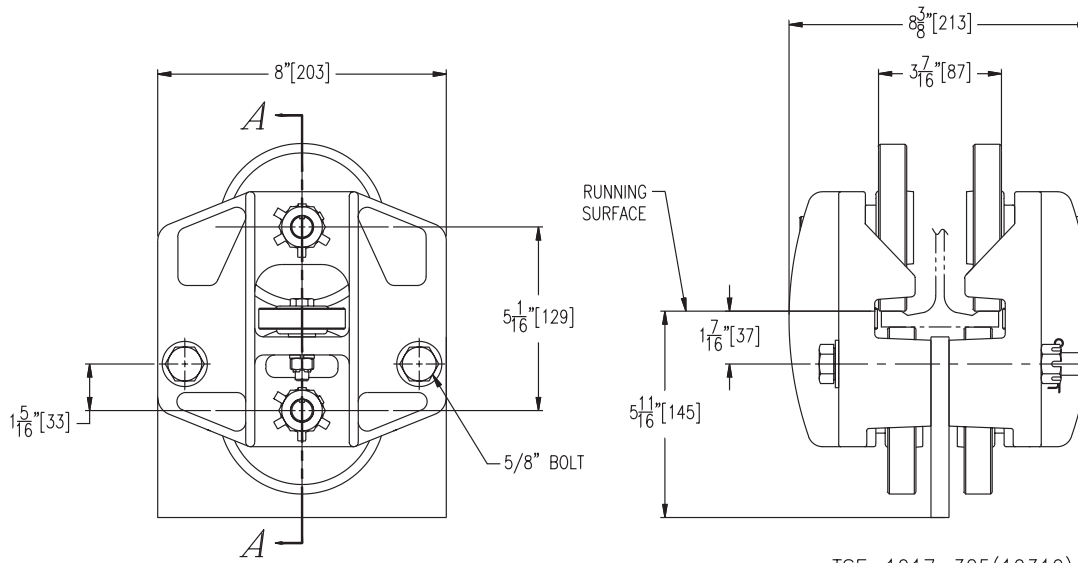
- TSE-1017-325 for operation on 3.25"/3.33" flange flat rail
- TSE-1017-333 for operation on 3.33" flange 6" S-Beam

Application

- Used in pairs on telescoping transfer beam extensions

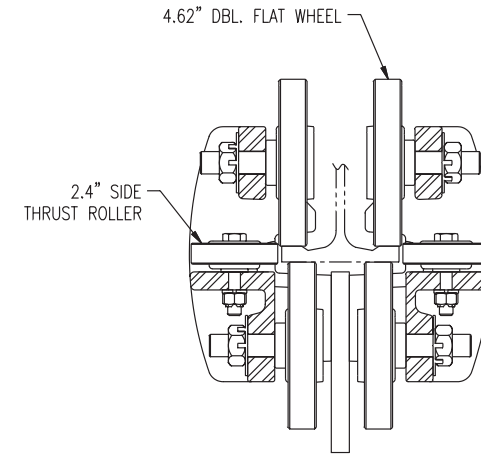
Features

- High tensile almag alloy frames
- Built-in safety lugs integral in frames
- 4.62" diameter drop forged steel load and kick-up wheels with low friction sealed bearings permanently lubricated
- Large 2.40" diameter hardened and ground ball bearing side thrust rollers

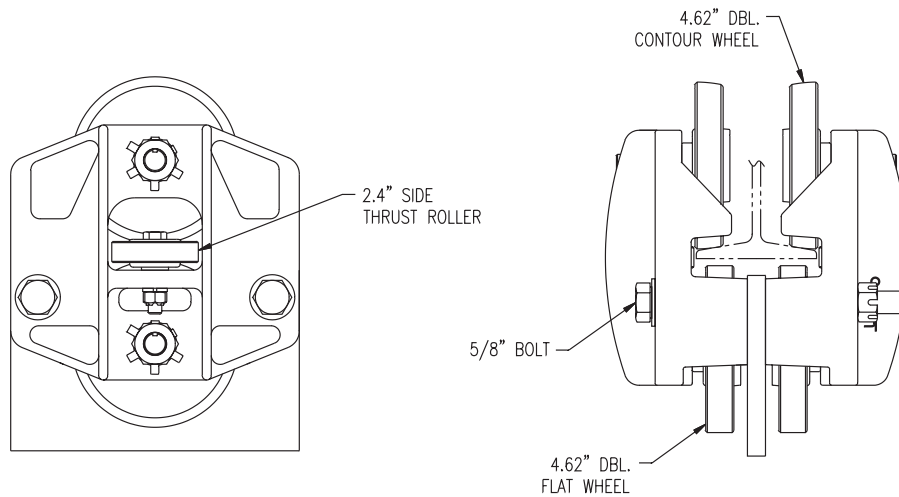


TSE-1017-325(10310)

FOR OPERATION ON FLAT RAIL WITH
A 3.25" [82.6] OR 3.33" [84.6]
FLANGE WIDTH



SECTION A-A



TSE-1017-333(10315)

FOR OPERATION ON S6 BEAM
WITH 3.33" [84.6] FLANGE WIDTH

TROLLEY SPECIFICATIONS

RATED LOAD: 2,500 LBS. (1120 Kgs)
WEIGHT: 31 LBS. (14 Kgs)
BODY: HIGH TENSILE ALMAG
WHEEL: 4 5/8" [117] DIA.
STUD: 5/8" [15.9] DIA.
THRUST ROLLERS: 2.4 [61] DIA. BALL BEARING.

LAB TESTING DATA

TANDEM
YIELD STRENGTH: 22,000 (9856 Kgs)
TANDEM ULTIMATE
TENSILE STRENGTH: 30,000 (13440 Kgs)

NOTE:

WHEN ORDERING SPECIFY EXACT WIDTH
OF RUNNING SURFACE FLANGE.
1) 3.25 [82.6] FOR FLAT RAIL.
2) 2.66 [67.6] FOR S4 BEAM
3) 3.33 [84.6] FOR S6 BEAM



Model Number

- MBC-2500-325 for operation on 3.25"/3.33" flange flat rail
- MBC-2500-333 for operation on 3.33" flange 6" S-Beam

Application

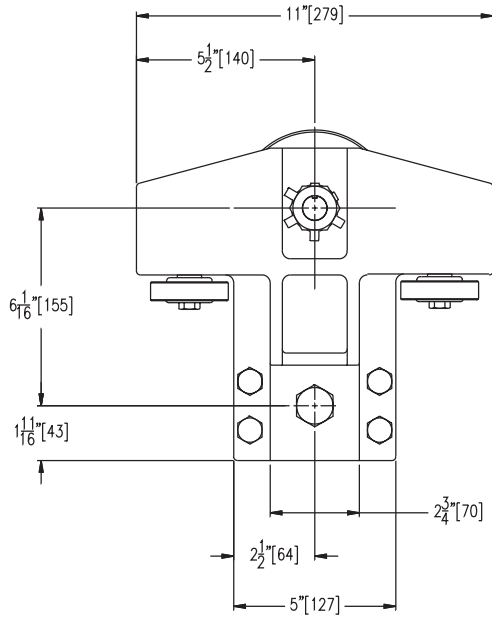
- Used in pairs for heavy load bridge crane end truck assemblies
- Used for heavy load bars and bridge beam trolleys

Features

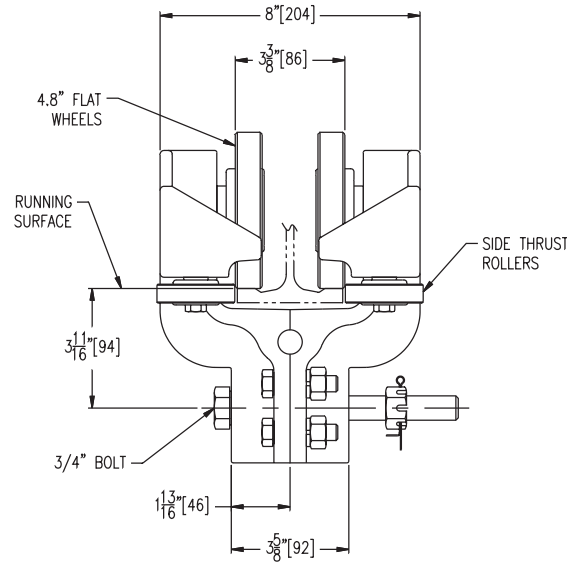
- High tensile almag alloy frames
- Built-in safety lugs
- 5.62" wheel diameter drop forged steel load wheels with low friction sealed bearings permanently lubricated
- Large 2.40" diameter hardened and ground ball bearing side thrust rollers

Options

- Dual bearings for greater rated loads up to 3000 pounds

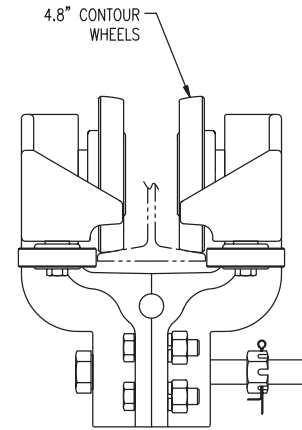


COMMON SIDE VIEW



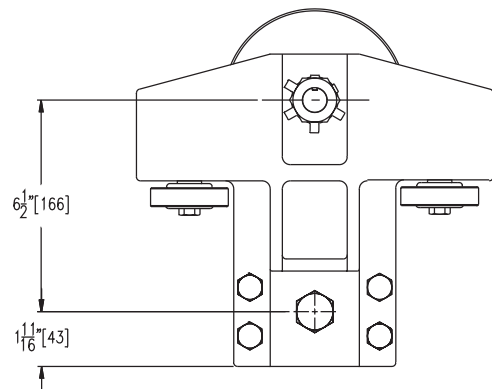
MBC-2500-325(10160)

FOR OPERATION ON FLAT RAIL
WITH A 3.25" [82.6] OR 3.33" [84.6]
FLANGE WIDTH.
RATED LOAD: 2500 LBS(1120Kgs)

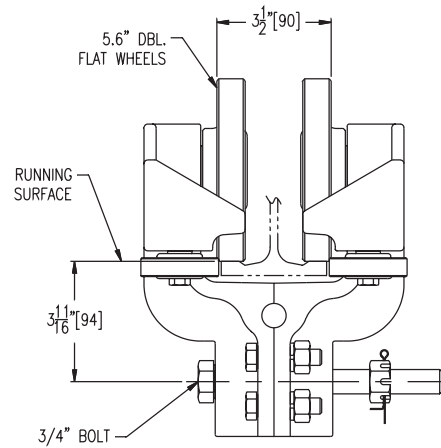


MBC-2500-333(10161)

FOR OPERATION ON S6 BEAM
WITH 3.33" [84.6] FLANGE WIDTH.
RATED LOAD: 2500 LBS(1120Kgs)

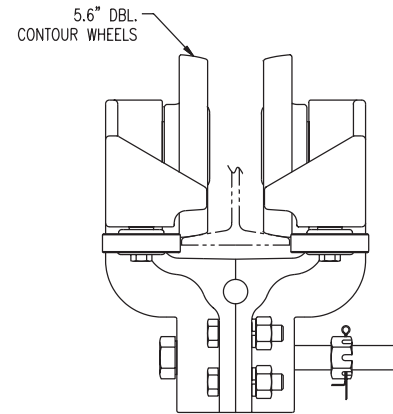


COMMON SIDE VIEW



MBC-3000-325(10162)

FOR OPERATION ON FLAT RAIL
WITH 3.25" [82.6] OR 3.33" [84.6]
FLANGE WIDTH.
RATED LOAD: 3000 LBS(1344Kgs)



MBC-3000-333(10163)

FOR OPERATION ON S6 BEAM
WITH 3.33" [84.6] FLANGE WIDTH.
RATED LOAD: 3000 LBS(1344Kgs)

TROLLEY SPECIFICATIONS:

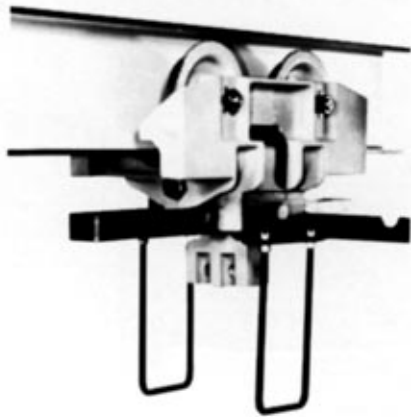
RATED LOAD: 2500 LBS(1120Kgs)
DBL BEARING: 3000 LBS(1344Kgs)
WEIGHT: 25 LBS(11.2Kgs)
BODY: HIGH TENSILE ALMAG
WHEELS: 4.8" [121.9]
 Ø5.62" [142.7]
STUD: Ø3/4" [19]
SIDE THRUST ROLLERS: BALL BEARING
 HARDENED AND GROUND.

LABORATORY TESTING DATA:

YIELD STRENGTH: 18,000 LBS(806.4Kgs)
ULTIMATE TENSILE
STRENGTH: 26000 LBS(11648Kgs)

NOTE:

WHEN ORDERING PLEASE SPECIFY EXACT
WIDTH OF RUNNING SURFACE FLANGE:
3.25" [82.6] FOR FLAT RAIL
3.33" [84.6] FOR S6 BEAM



Model Number

- TT-1023 with transformer support, safety angle brackets with "U" bolts and bumpers
- TT-1023-HT with yoke for hook mounted hoist

Application

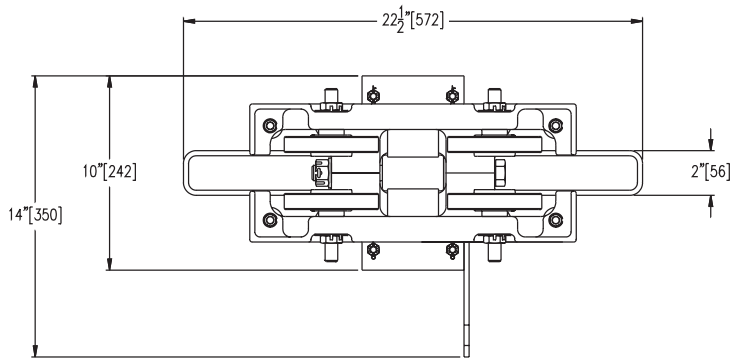
- For suspension of portable spotweld gun transformers
- For suspension of portable tools, hoists, fixtures, etc.

Features

- High tensile almag alloy frames and yoke
- Dual safety clevis and built-in safety lugs, integral in almag frames
- Safety angles with "U" bolts or safety chain mounted to dual safety clevis
- Bolt penetrates safety angles, safety clevis and yoke for complete safety
- Drop forged steel load wheels with low friction sealed bearings permanently lubricated
- Yoke oscillates 15° in either direction for slightly out-of-balance loads permitting all wheels to remain in contact with running surface
- Shielded side thrust rollers.
- Flangeless 4-5/8" diameter wheels with hardened and ground ball bearing side thrust rollers
- Flat or contoured wheels for 3.25" wide flat track, 3.33" wide special flat track or 3.33" wide 6" S-Beam

Options

- Safety chains, 3/8" triple "B" with shackles, specify number of links



TROLLEY SPECIFICATIONS

RATED LOAD: 3000 LBS. (1344 Kgs)
 WEIGHT: 39 LBS. (17.5 Kgs.)
 BODY, YOKE & TRANSFORMER SUPPORT:
 HIGH TENSILE ALMAG
 WHEEL: 4 5/8" DIA. FLAT OR CONTOUR.
 STUD: 5/8" [15] DIA.
 ROLLERS: BALL BEARING HARDENED AND GROUND

LAB TESTING DATA

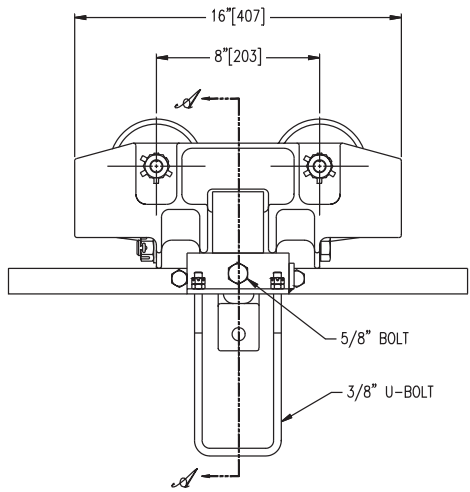
TANDEM
 YIELD STRENGTH: 20,900 (9363 Kgs)
 TANDEM ULTIMATE
 TENSILE STRENGTH: 25,300 (11,334 Kgs)

OPTION:

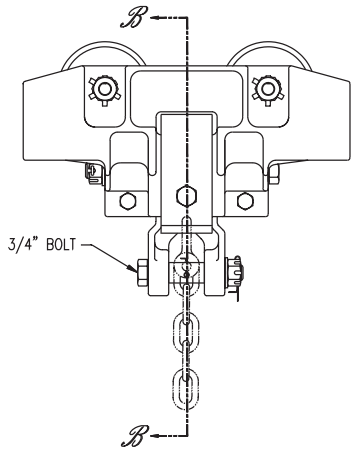
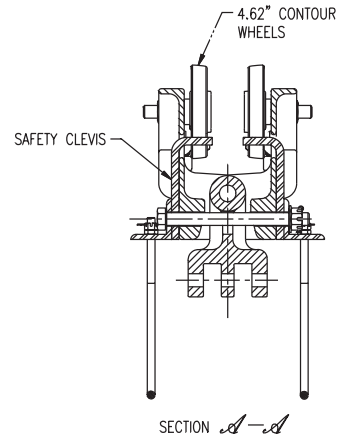
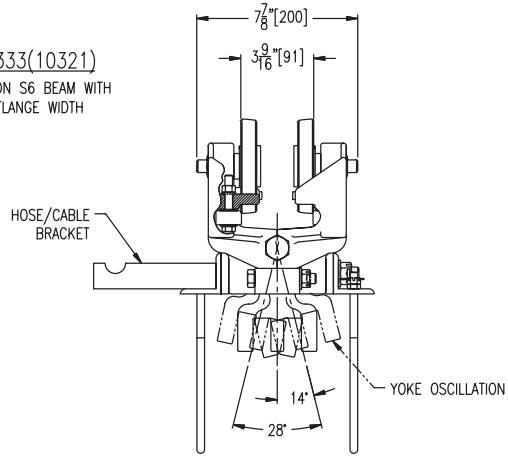
TWO SAFETY CHAINS 3/8"
 TRIPLE-B LINK WITH SHACKLES.
 SPECIFY NUMBER OF LINKS.

NOTE:

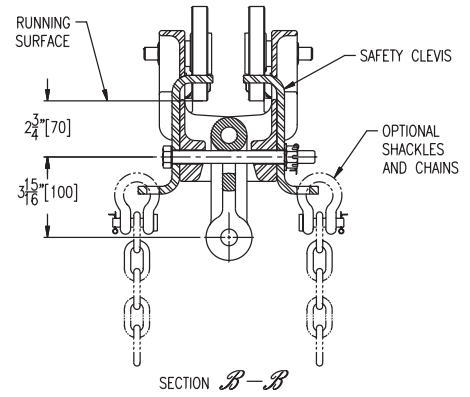
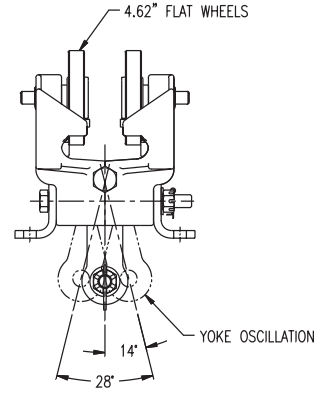
WHEN ORDERING SPECIFY EXACT WIDTH
 OF RUNNING SURFACE FLANGE.
 1) 3.25 [82.6] FOR FLAT RAIL.
 2) 3.33 [84.6] FOR S6 BEAM

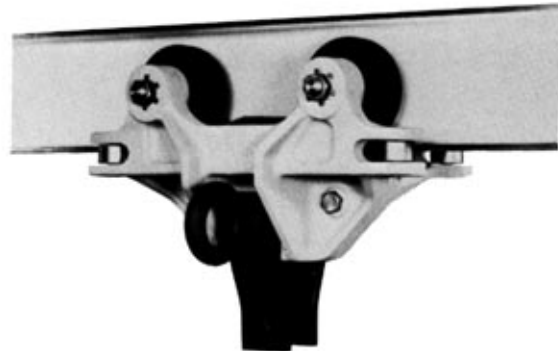


TT-1023-333(10321)
 FOR OPERATION ON S6 BEAM WITH
 3.33"[84.6] FLANGE WIDTH



TT-1023-HT-325(10330)
 FOR OPERATION ON FLAT RAIL WITH
 A 3.25"[82.6] OR 3.33"[84.6]
 FLANGE WIDTH.





Model Number

- BT-325-10 for operation on 3.25/3.33" flange flat rail
- BT-333-10 for operation on 3.33" flange 6" S-Beam
- When ordering 4000 pound rated load add suffix "R" (BT-325-10R)

Application

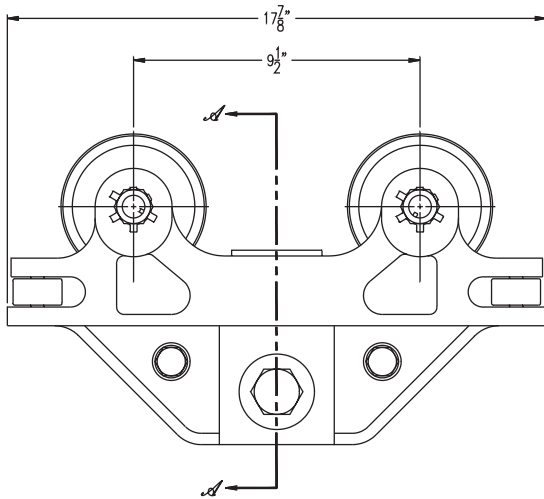
- Used in pairs for heavy load bridge crane end truck assemblies
- For suspension of portable tools, balancer, hoists, fixtures etc.
- For bridge beam trolley with optional dual hanging strap

Features

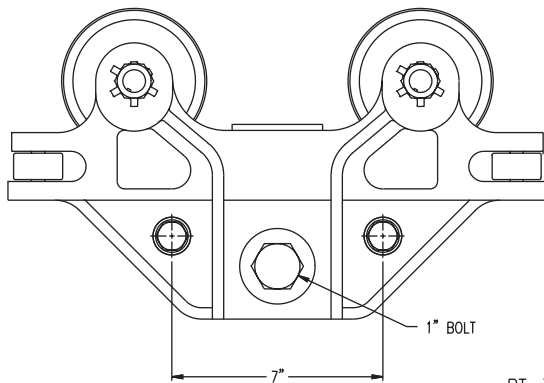
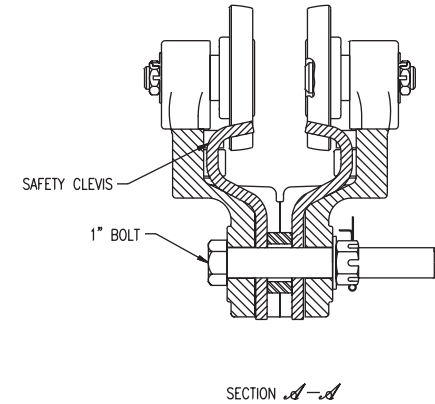
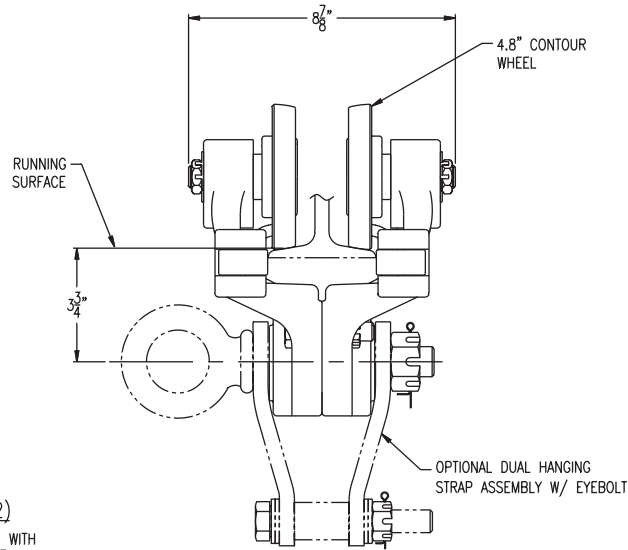
- Patented dual safety clevis
- High tensile almag alloy frames
- 4.75" diameter heavy duty load wheels
- Hardened and ground ball bearing side thrust rollers

Options

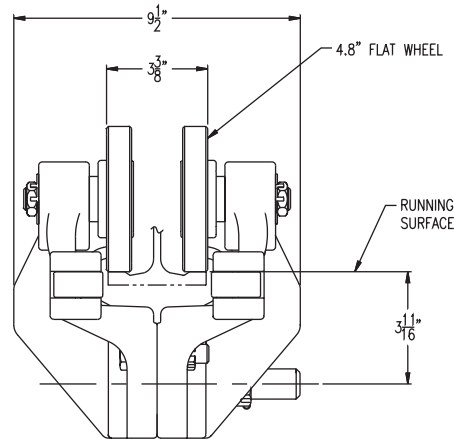
- Available with dual hanging straps for suspension of heavy hook mounted loads
- Available with universal swivel assembly



BT-333-10(10062)
 FOR OPERATION ON S6 BEAM WITH
 A 3.33" [84.6] FLANGE WIDTH.



BT-325-10R(10070)
 FOR OPERATION ON FLAT RAIL WITH
 A 3.25" [82.6] OR 3.33" [84.6]
 FLANGE WIDTH.



BT-325-10 OR BT-333-10
TROLLEY SPECIFICATIONS:

RATED LOAD: 3000 LBS (1344 Kg)
 WEIGHT: 50 LBS (22.4 Kg)
 BODY: HIGH TENSILE ALMAG
 WHEELS: 4.8" [121.9] DIA.
 FLAT OR CONTOURED
 WHEEL STUD: 3/4" [19] DIA.
 GREASE FITTING OPTIONAL
 10' MINIMUM RADIUS
 SIDE THRUST ROLLERS: BALL BEARING
 HARDENED & GROUND

LABORATORY TESTING DATA

YIELD STRENGTH: 18000 LBS (8064 Kg)
 ULTIMATE TENSILE STRENGTH: 26000 LBS (11648 Kg)
 DROP TEST: 3000 LBS (1344 Kg) AT 6" [152.4]
 BOTH COMPLY WITH O.S.H.A. CODES

NOTE:

WHEN ORDERING PLEASE SPECIFY EXACT WIDTH
 OF RUNNING SURFACE FLANGE:
 3.25" [82.6] FOR FLAT RAIL
 3.33" [84.6] FOR S6 BEAM

BT-325-10R OR BT-333-10R
TROLLEY SPECIFICATIONS:

RATED LOAD: 4000 LBS (1792 Kg)
 WEIGHT: 54 LBS (24.2 Kg)
 BODY: HIGH TENSILE ALMAG
 WHEELS: 4.8" [121.9] DIA.
 FLAT OR CONTOURED
 WHEEL STUD: 3/4" [19] DIA.
 GREASE FITTING OPTIONAL
 SIDE THRUST ROLLERS: BALL BEARING
 HARDENED & GROUND

LABORATORY TESTING DATA

YIELD STRENGTH: 26700 LBS (11961.6 Kg)
 ULTIMATE
 TENSILE STRENGTH: 37850 LBS (16956.8 Kg)

CAUTION

This bridge crane has a safe load rating, which has been clearly marked on both sides by the manufacturer. The total weight of the suspended load should never exceed 100% of this limit. The weight of all handling devices such as buckets, magnets, grabs, balancers, hoists, weldguns, etc. must be included as a part of the suspended load. The weight of such devices should therefore be determined and clearly marked.

Consideration should be given when installing hoisting devices. Load ratings for such devices may exceed the load rating of the bridge crane.

The operator should inspect this bridge crane for loose bolts and worn, cracked or distorted parts prior to use (inspection should include all handling devices and mounting equipment). Defective parts should be replaced with manufacturer-approved parts before use of bridge crane is resumed.

This bridge crane conforms to the safety standards of the U.S. Occupational Safety and Health Administration (OSHA). Any alteration of its structure or change in its rated load capacity may render null and void any manufacturer's warranties, expressed or implied.

Ref: Code of Federal Regulations,
U.S. Labor Dept. Book #29,
Parts 1900 to 1910.
Revised as of July, 1984.